

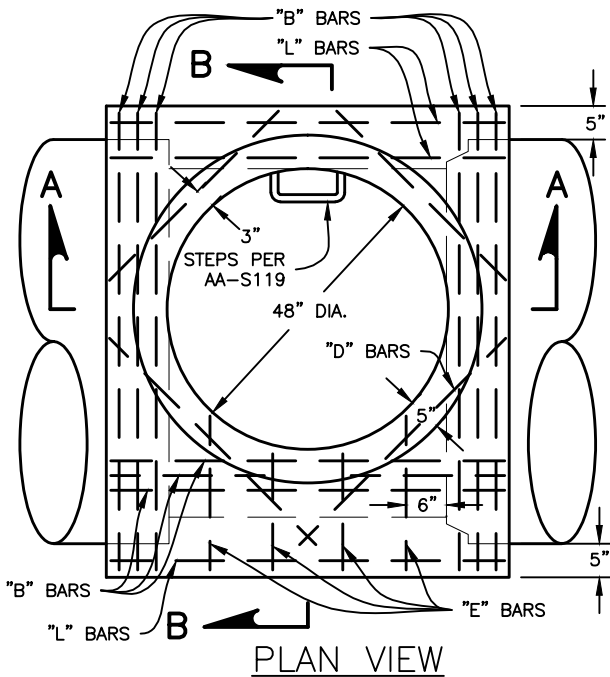
REINFORCING STEEL LIST

BAR	SPACING	BAR SIZES FOR SEWERS		
		48" ≈ 60"	66" ≈ 78"	84" ≈ 96"
A	12" ON CENTER BOTH WAYS	#5	#6	#7
B	3" ON CENTER BOTH WAYS			
L	AS SHOWN	#5	#5	#5
D	AS SHOWN	#5	#5	#5
E	12" ON CENTER	#5	#5	#5

INCLUDED FOR ESTIMATING PURPOSES ONLY. THE COST OF FURNISHING AND PLACING ALL REINFORCEMENT STEEL SHALL BE INCLUDED IN ITEM 604 FOR PAYMENT.

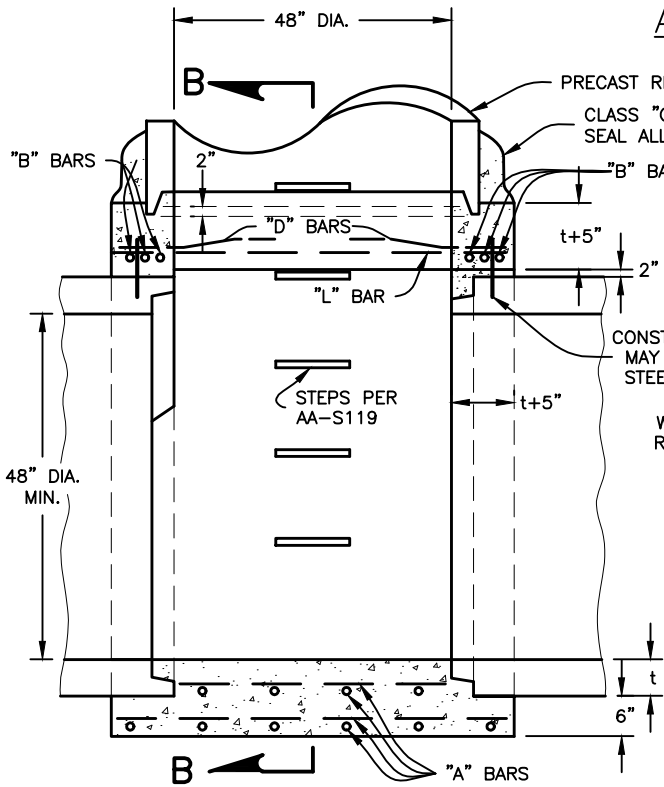
NOTES:

1. STEPS SHALL COMPLY WITH THE REQUIREMENTS SET FORTH ON CMS 711.31 AND STANDARD DRAWING AA-S119.
2. t = WALL THICKNESS OF INTERCEPTING SEWER.
3. ALL REINFORCING STEEL SHALL MEET CMS 709.2 SPECIFICATIONS.
4. 2" MINIMUM COVER ON ALL REINFORCEMENT STEEL.
5. NO STEPS TO BE INSTALLED BELOW PIPE SPRING LINE.
6. PRECAST MANHOLES SHALL BE IN ACCORDANCE WITH ASTM C478.

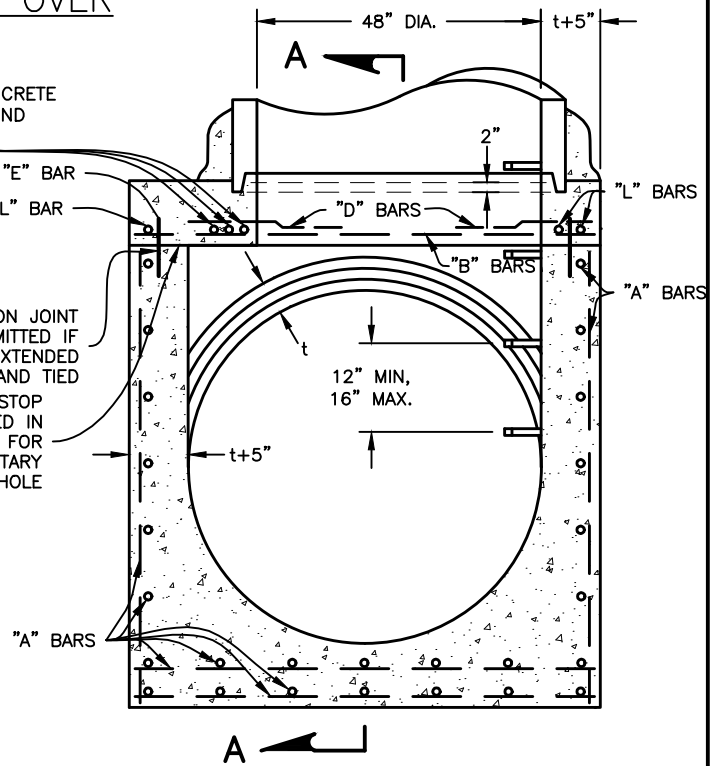


PLAN VIEW

FOR SEWERS 48" DIAMETER AND OVER



SECTION A-A



SECTION B-B

CITY OF COLUMBUS, OHIO
DEPARTMENT OF PUBLIC UTILITIES
DIVISION OF SEWERAGE & DRAINAGE

TYPE "E" MANHOLE

STANDARD DRAWING
AA-S104

REVISED 8/8/14

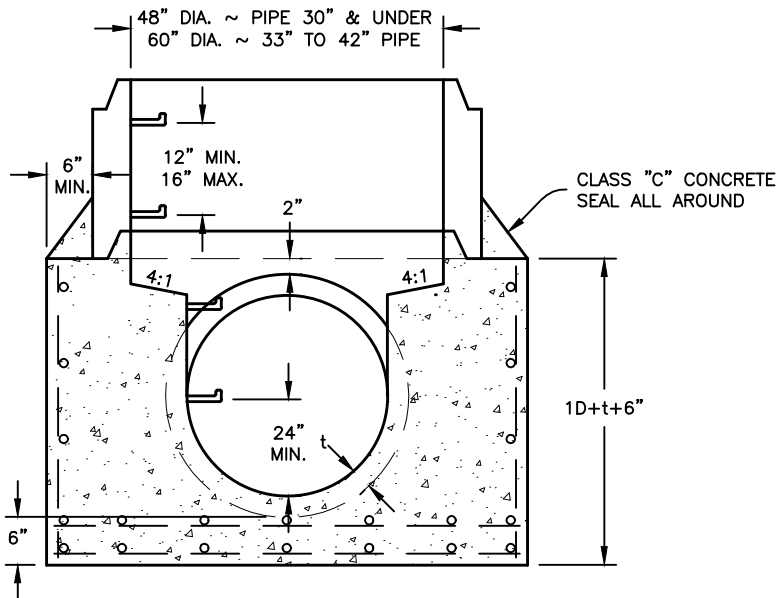
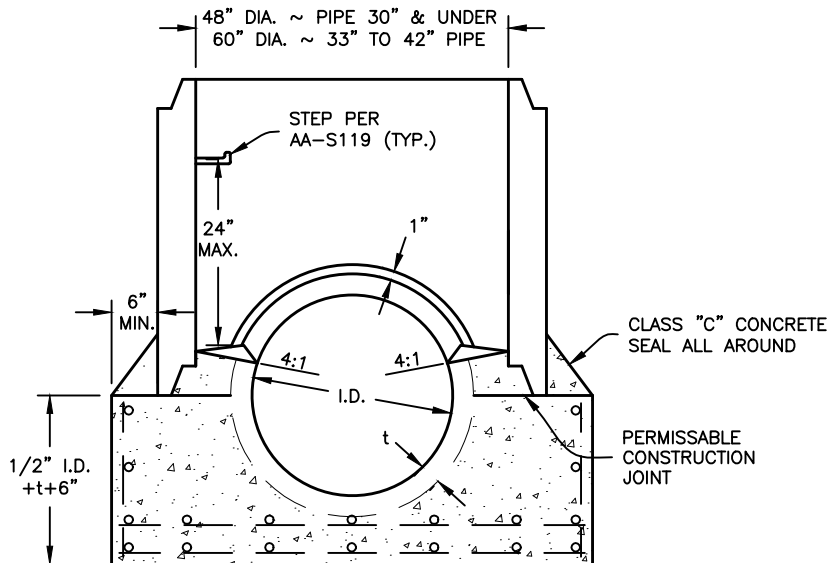
SSES MANAGER

John J. Newson

PAGE

1

2



FOR SEWERS 42" DIA. & UNDER

NOTES:

1. CONCRETE FOR THE BASES SHALL BE CLASS "C" OR MEET THE REQUIREMENTS OF CMS 706.13. THE BASES SHALL BE PRECAST OR CAST-IN-PLACE.
2. PRECAST MANHOLES SHALL BE IN ACCORDANCE WITH ASTM C478. PRECAST BASES ON SEWERS 42" AND UNDER SHALL HAVE SUFFICIENT STEEL REINFORCEMENT TO PERMIT SHIPPING AND PLACEMENT WITHOUT DAMAGE TO THE BASE.
3. STEPS SHALL COMPLY WITH REQUIREMENTS SET FORTH ON CMS 711.31 AND STANDARD DRAWING AA-S119.
4. t = WALL THICKNESS OF INTERCEPTING SEWER.
4. ALL REINFORCING STEEL SHALL MEET CMS 709.2 SPECIFICATIONS.
5. 2" MINIMUM COVER ON ALL REINFORCEMENT STEEL.
6. NO STEPS TO BE INSTALLED BELOW PIPE SPRING LINE.

CITY OF COLUMBUS, OHIO
 DEPARTMENT OF PUBLIC UTILITIES
 DIVISION OF SEWERAGE & DRAINAGE

John J. Newson

SSS MANAGER

TYPE "E" MANHOLE

STANDARD DRAWING
 AA-S104

REVISED 8/8/14

PAGE

2

2