

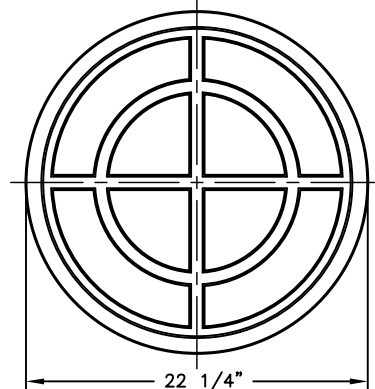
PLAN

SECTION

GROUND RIM
APPROX. WEIGHT = 138LBS.

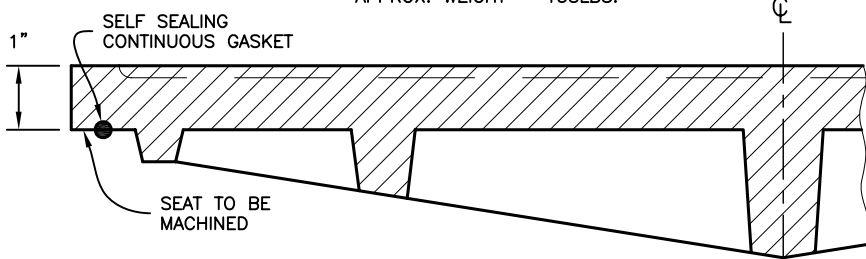


TOP

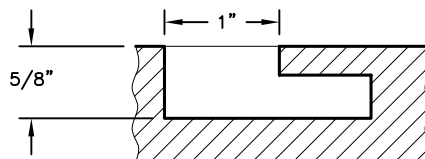


BOTTOM
LID

APPROX. WEIGHT = 126 LBS.



SECTION A-A



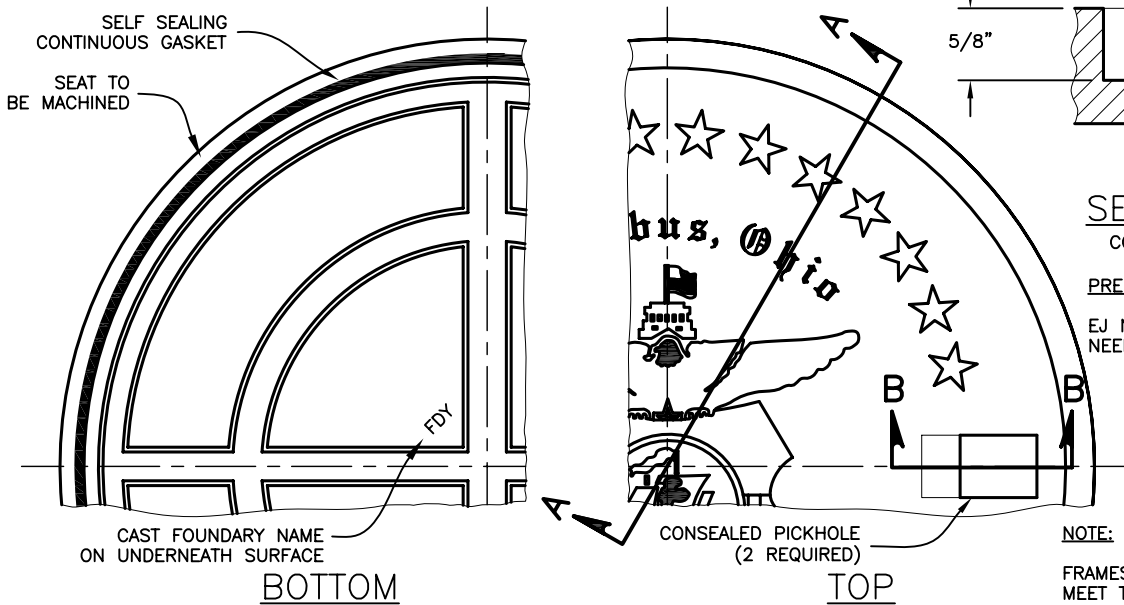
SECTION B-B
CONCEALED PICKHOLE

PRE-APPROVED CASTINGS:

EJ NO. - 1660A3GS, 1661Z1
NEENAH NO. - 1762 WITH T-SEAL

NOTE:

FRAMES, GRATES, AND COVERS SHALL MEET THE REQUIREMENTS OF 604.02 AND AASHTO M306



BOTTOM

TOP

CITY OF COLUMBUS, OHIO
DEPARTMENT OF PUBLIC UTILITIES
DIVISION OF SEWERAGE & DRAINAGE

STANDARD DIMENSIONS
FOR MANHOLE FRAME
& COVER CASTING
(SANITARY SEWERS)

STANDARD DRAWING
AA-S111

REVISED 12/6/13

SSES MANAGER

John J. Newson

PAGE

1

1