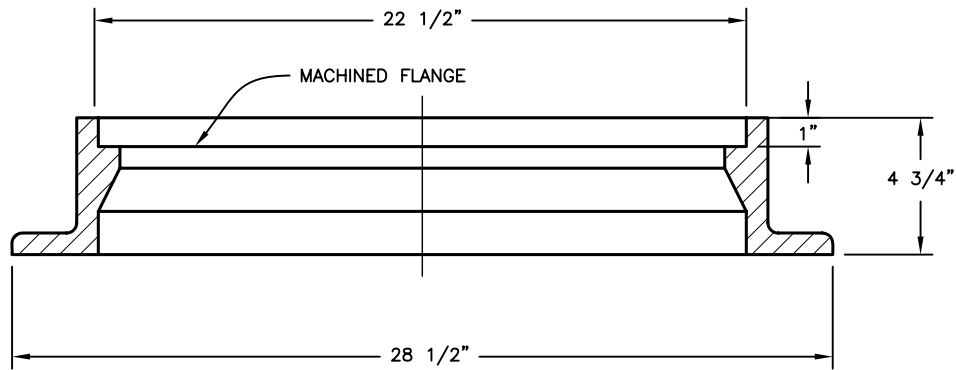


PLAN



SECTION A-A
APPROX. WEIGHT 125 LBS.

NOTES:

1. SHALL ONLY BE USED IF APPROVED BY ENGINEER.
2. FRAMES, GRATES, AND COVERS SHALL MEET REQUIREMENTS OF 604.02 & AASHTO M306.

PRE-APPROVED CASTINGS:

EJ NO. - 1660Z
NEENAH NO. - 1762-A

CITY OF COLUMBUS, OHIO
DEPARTMENT OF PUBLIC UTILITIES
DIVISION OF SEWERAGE & DRAINAGE

STANDARD DIMENSIONS
FOR MODIFIED HEIGHT
MANHOLE FRAME
GROUND RIM

STANDARD DRAWING
AA-S113

REVISED 12/6/13

SSES MANAGER

John J. Newson

PAGE

1 / 1