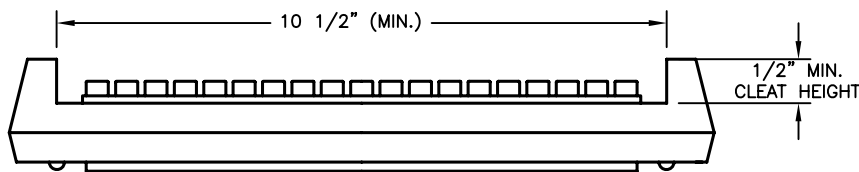


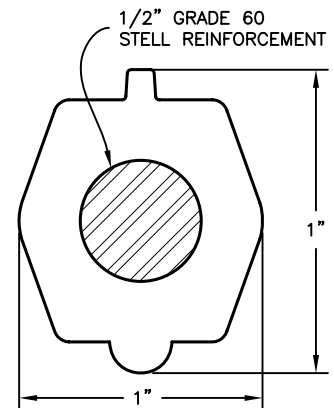
TOP VIEW



FRONT VIEW

NOTES:

1. STEPS SHALL MEET THE REQUIREMENTS OF ASTM C478, AND SHALL BE INSTALLED WITH A UNIFORM VERTICAL SPACING OF 12" TO 16"
2. STEPS INSTALLED IN EXISTING STRUCTURES SHALL BE SET IN A QUICK SETTING NON-SHRINK EPOXY.
3. STEPS SHALL CONFORM TO MATERIAL REQUIREMENTS OF CMS 711.31. ALL STEPS SHALL HAVE A DEPRESSED TREAD OR 1/2" MINIMUM CLEAT HEIGHT AT THE ENDS.
4. THE ENGINEER MAY REQUIRE THE CONTRACTOR TO TEST LOAD A MAXIMUM OF ONE STEP PER STRUCTURE PER ASTM C478. IF THE SELECTED STEP FAILS THE ASTM TEST, THE REMAINING STEPS IN THAT STRUCTURE SHALL ALSO BE TESTED. ALL STEPS NOT PASSING THE ASTM TEST SHALL BE REMOVED. ALL NEW STEPS SHALL BE TESTED PER ASTM C478. THE COST OF TESTING SHALL BE INCLUDED IN THE UNIT PRICE BID FOR SAID STRUCTURE.



SECTION A-A

CITY OF COLUMBUS, OHIO
 DEPARTMENT OF PUBLIC UTILITIES
 DIVISION OF SEWERAGE & DRAINAGE

MANHOLE STEP

STANDARD DRAWING
 AA-S119

REVISED 8/8/14

SSES MANAGER

John J. Newson

PAGE

1

1