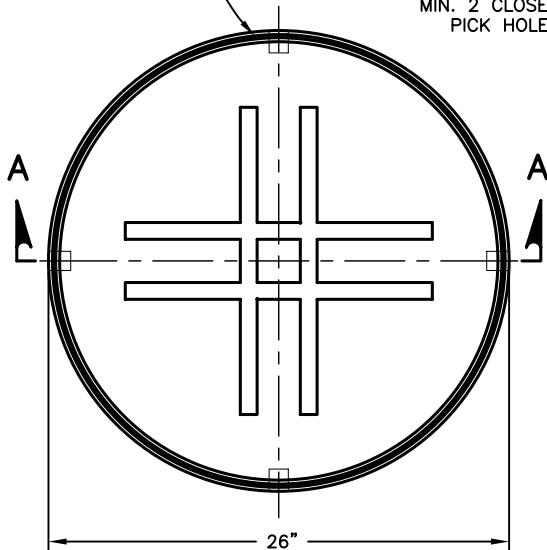


SELF SEALING CONTINUOUS GASKET

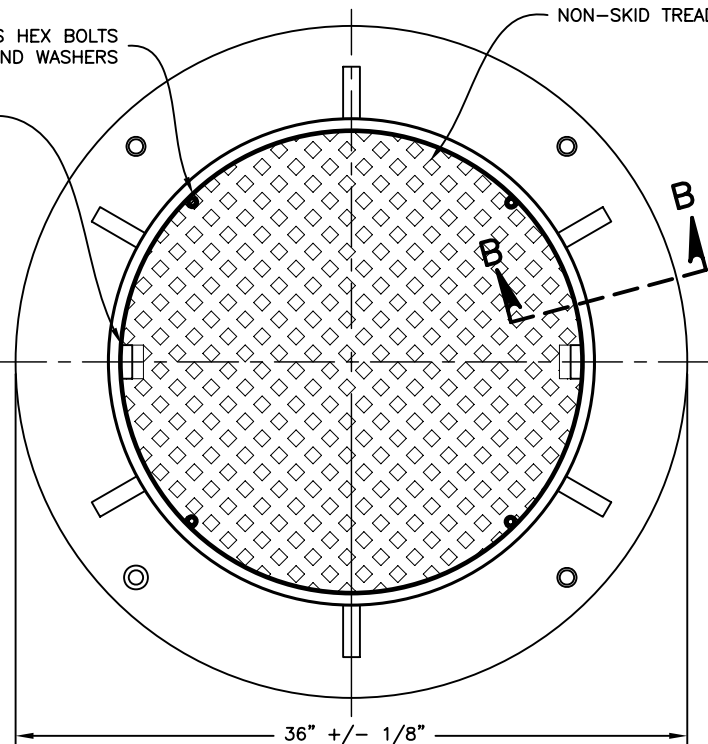


BOTTOM VIEW - LID

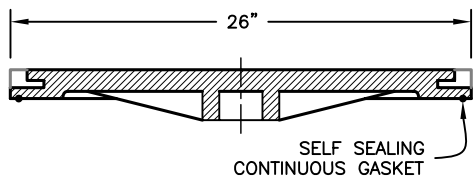
1/2" SS HEX BOLTS AND WASHERS

MIN. 2 CLOSED PICK HOLES

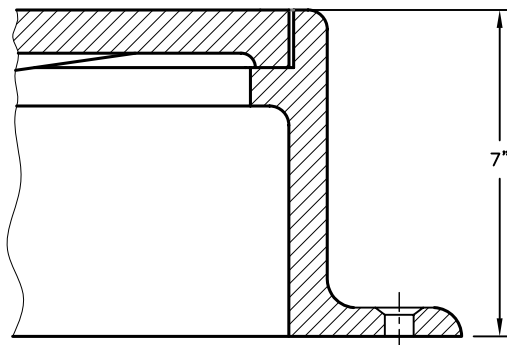
NON-SKID TREAD



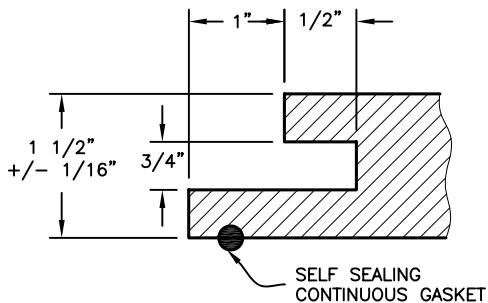
TOP VIEW OF ASSEMBLY



SECTION A-A



SECTION B-B



**PICK HOLE
DETAIL**

NOTES:

- 1. FRAMES, GRATES, AND COVERS SHALL MEET THE REQUIREMENTS OF 604.02 AND AASHTO M 306.

PRE-APPROVED CASTINGS:

EJ NO. - 1045ZPT ASSEMBLY
NEENAH NO. - 1916-F

CITY OF COLUMBUS, OHIO
DEPARTMENT OF PUBLIC UTILITIES
DIVISION OF SEWERAGE & DRAINAGE

John J. Newson

SSES MANAGER

STANDARD DIMENSIONS
FOR 26" BOLT-DOWN
FRAME AND COVER

STANDARD DRAWING
AA-S143

REVISED 12/6/13

PAGE

1

1