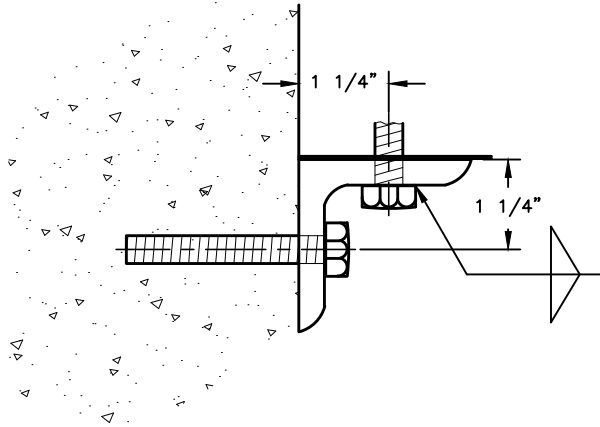
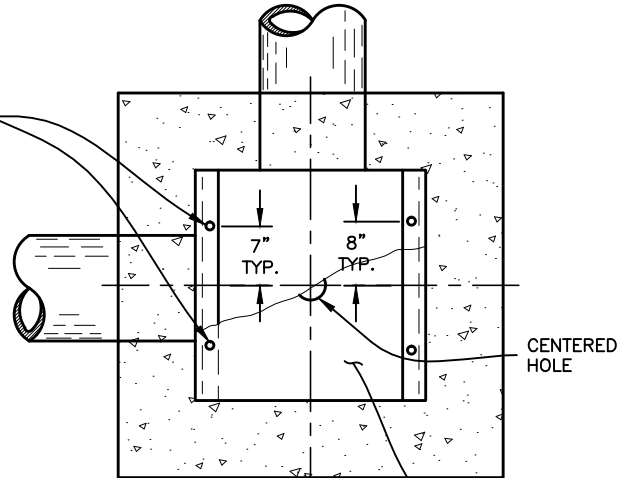


3/8" X 1 1/2" DIA.
STAINLESS STEEL BOLTS
TACKED ONTO STAINLESS
STEEL ANGLE. 2 EA. ANGLE
(SEE DETAIL BELOW)



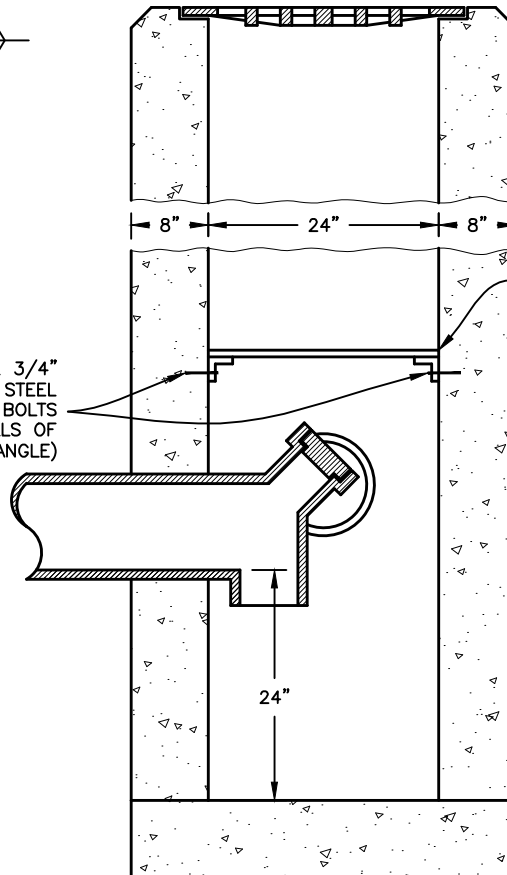
BOLTING DETAIL



PLAN

1/4" STAINLESS PLATE
(23 1/2" SQUARE)

1/2" DIA. X 2 3/4"
STAINLESS STEEL
EXPANSION BOLTS
SET IN WALLS OF
C.B. (2 EA. ANGLE)



SECTION

CAULK ALL AROUND
WITH SILICONE RUBBER
BASED CAULK OR
POLYURETHANE

**FOR USE IN INLETS
WITH H-H TRAPS**

ORIFICE SIZING EQUATION

$$Q = CA(2gh)^{1/2}$$

Q = PEAK DISCHARGE RATE, cfs

C = COEFFICIENT OF DISCHARGE.
DIMENSIONLESS, (USE NOMINAL
VALUE OF 0.60)

A = CROSS SECTIONAL AREA OF
ORIFICE, SQUARE FEET.

g = ACCELERATION DUE TO GRAVITY,
32.16 FT./SEC./SEC.

H = HEAD ON THE ORIFICE, FEET.

CITY OF COLUMBUS, OHIO
DEPARTMENT OF PUBLIC UTILITIES
DIVISION OF SEWERAGE & DRAINAGE

John J. Newson

SSES MANAGER

HORIZONTAL OUTLET
CONTROL ORIFICE PLATE

STANDARD DRAWING

AA-S146

REVISED 7/9/12

PAGE

1

1