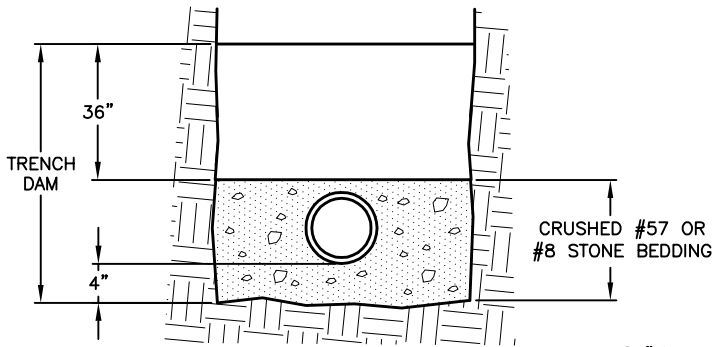
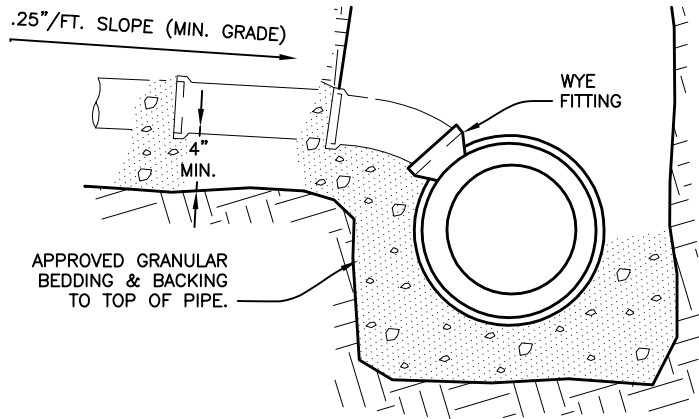


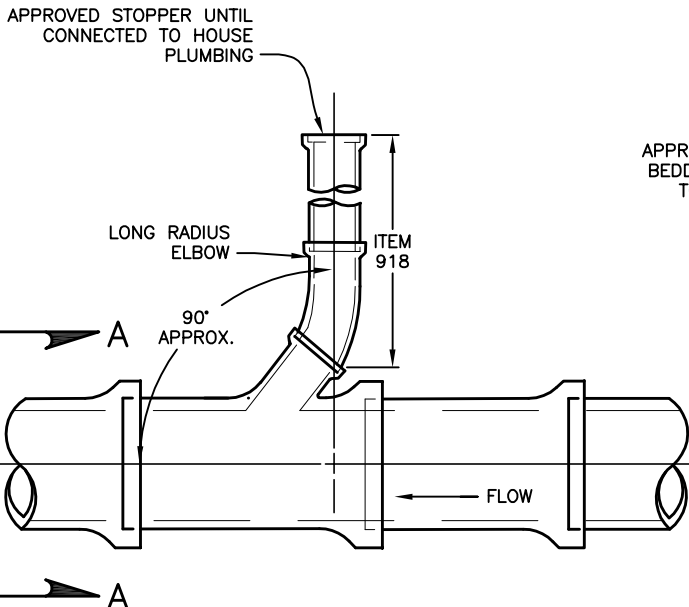
ISOMETRIC VIEW



SECTION B-B



SECTION A-A



PLAN VIEW

NOTES:

1. TRENCH DAMS ARE REQUIRED AS SPECIFIED UNDER 918.04 AND SHALL BE CONSTRUCTED TO 36" OVER THE PIPE.
2. SANITARY HOUSE CONNECTION SERVICES SHALL BE CONNECTED TO THE EXISTING SEWER WITH THE SAME MATERIAL FITTING OR WITH A COMPATIBLE ADAPTOR IN ACCORDANCE WITH 915 AND 918.02.

CITY OF COLUMBUS, OHIO
 DEPARTMENT OF PUBLIC UTILITIES
 DIVISION OF SEWERAGE & DRAINAGE

TYPICAL SANITARY
 HOUSE SERVICE
 CONNECTION

STANDARD DRAWING
 AA-S160

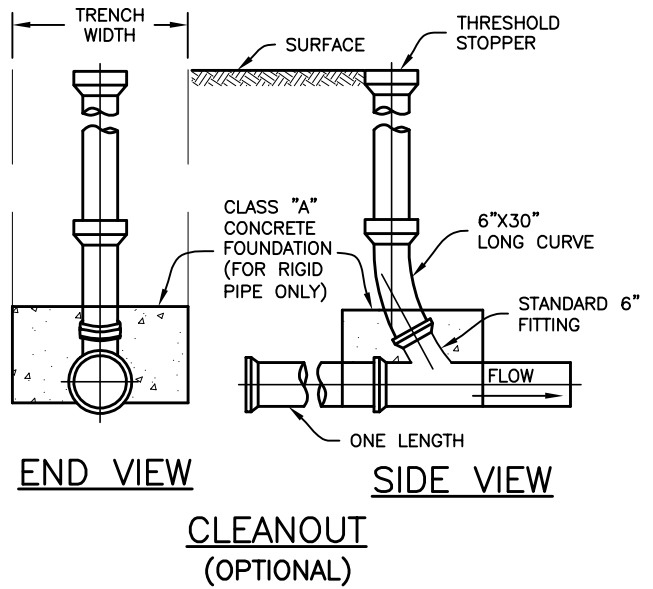
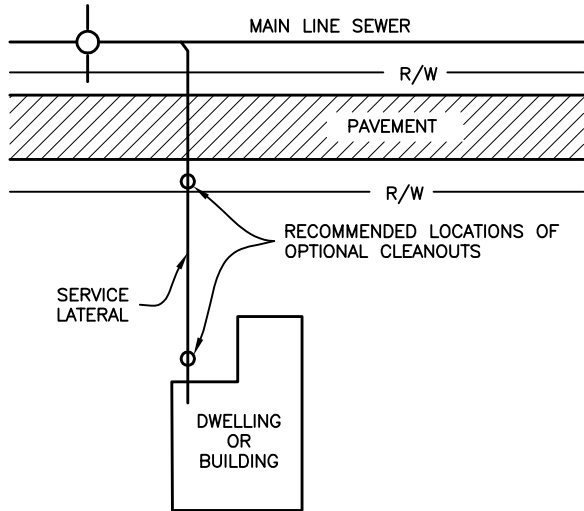
REVISED 3/25/21

PAGE

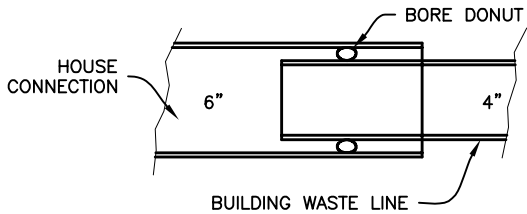
1

2

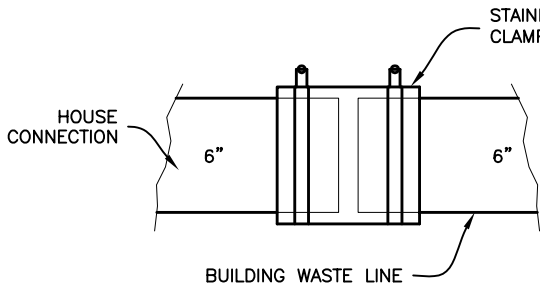
SSES Manager *[Signature]*



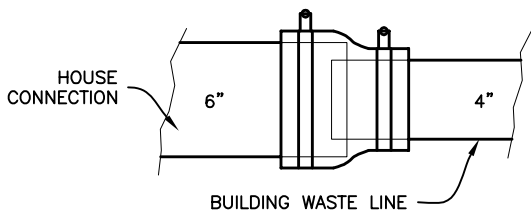
**ALLOWABLE CONNECTIONS –
SANITARY HOUSE CONNECTION TO
BLDG. WASTE LINE**



BORE DONUT



FLEXIBLE COUPLING



**FLEXIBLE REDUCING
COUPLING**

NOTES:

1. COUPLINGS SHALL BE FERNCO COUPLINGS SERIES #5000 OR APPROVED EQUAL.
2. FOR PLASTIC TO PLASTIC CONNECTIONS HARD FITTINGS SHALL BE USED, UNLESS APPROVED BY THE ENGINEER.

CITY OF COLUMBUS, OHIO
DEPARTMENT OF PUBLIC UTILITIES
DIVISION OF SEWERAGE & DRAINAGE

TYPICAL SANITARY
HOUSE SERVICE
CONNECTION

STANDARD DRAWING
AA-S160

REVISED 3/25/20

PAGE

2

2

[Signature]
SSES Manager