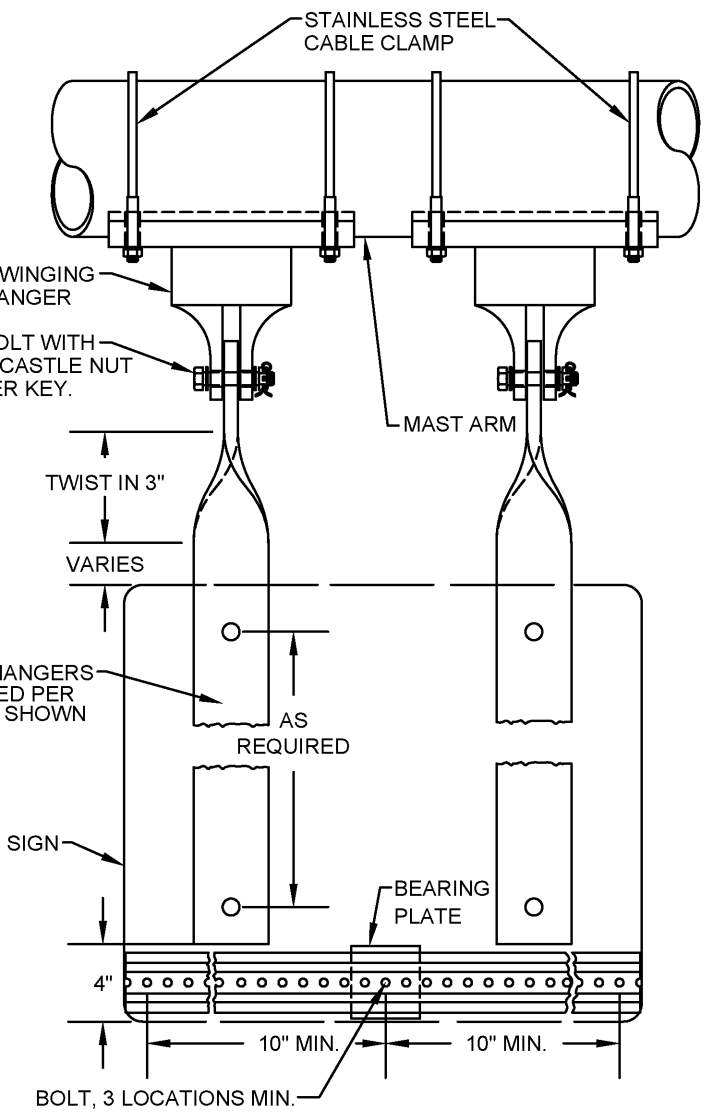
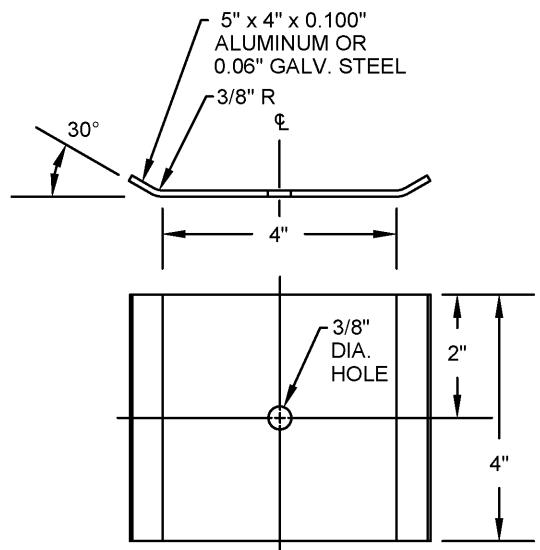


SIDE VIEW



REAR VIEW



BEARING PLATE

NOTES:
 ALL MOUNTING HARDWARE SHALL BE COATED TO MATCH SUPPORT STRUCTURE.
 STAINLESS STEEL CABLE CLAMP SHALL NOT BE PAINTED.

SIGN HANGER ASSEMBLY MAST ARM FREE SWINGING	
CITY OF COLUMBUS, OHIO DEPARTMENT OF PUBLIC SERVICE DIVISION OF DESIGN AND CONSTRUCTION	
<i>Hassan Zahran</i>	STD DWG 4252
CITY ENGINEER	5/01/2014
	SHT 1 OF 1