

FIELD WIRING HOOK-UP CHART

SIGNAL HEAD #	INDICATION	FIELD TERMINAL	FLASH
1 (NBLT)	R	06 R	Y
	Y	06 Y	
	G	06 G	
	W	01 W	
2 (NB)	R	06 R	Y
	Y	06 Y	
3 (EBLT)	R	03 R	R
	Y	03 Y	
4 (EBLT)	R	03 R	R
	Y	03 Y	
5 (EB)	R	08 R	R
	Y	08 Y	
6 (EBRT)	R	08 R	R
	Y	08 Y	
	G	08 G	
	W	01 W	
7 (SBLT)	R	02 R	Y
	Y	02 Y	
	G	02 G	
	W	05 W	
8 (SB)	R	02 R	Y
	Y	02 Y	
9 (WBLT)	R	04 R	R
	Y	04 Y	
	G	04 G	
	W	07 W	
10 (WB)	R	04 R	R
	Y	04 Y	
N	WALK	G 04-W	OFF
	DON'T WALK	R 04-DW	
S	WALK	G 08-W	OFF
	DON'T WALK	R 08-DW	
E	WALK	G 06-W	OFF
	DON'T WALK	R 06-DW	
W	WALK	G 02-W	OFF
	DON'T WALK	R 02-DW	

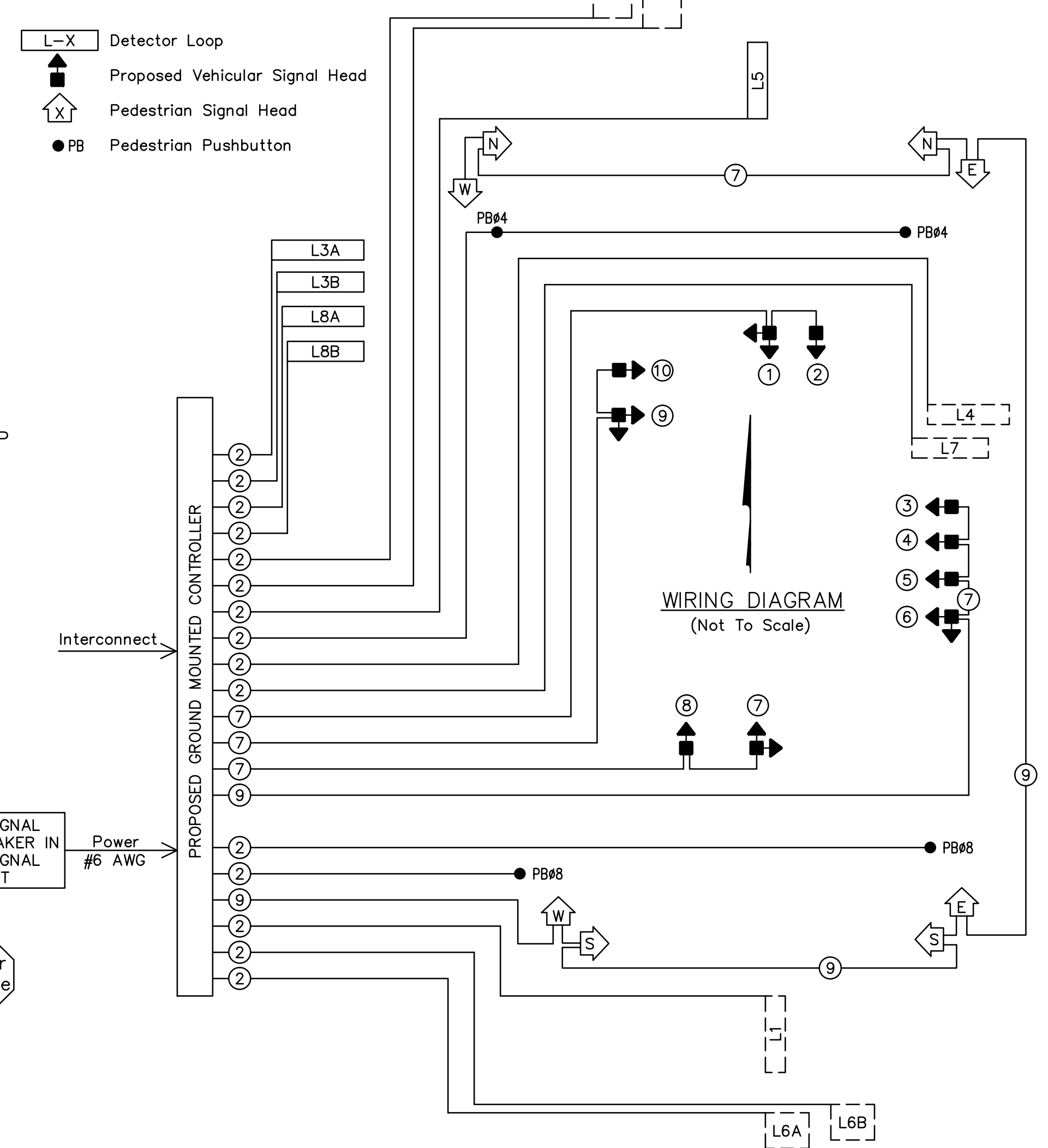
TIMING CHART

PHASE	01	02	03	04	05	06	07	08
MOVEMENT	NBLT	SB	EBLT	WB	SBLT	NB	WBLT	EB
MIN INITIAL	8	23	8	10	8	23	8	10
WALK	0	7	0	7	0	7	0	7
PED CLR	0	17	0	22	0	17	0	22
PASS / EXT	3.7	2.5	3.7	3.7	3.7	2.5	3.7	3.7
YELLOW	3.0	3.9	3.0	3.6	3.0	3.9	3.0	3.6
RED CLR	3.7	1.8	4.2	2.4	3.3	1.8	3.5	2.4
MAX GRN 1	30	50	25	50	30	50	25	50
MAX GRN 2	30	50	25	50	30	50	25	50
PED RECALL	OFF	ON	OFF	OFF	OFF	ON	OFF	OFF
VEH RECALL	OFF	MIN	OFF	OFF	OFF	MIN	OFF	OFF
MEMORY	OFF	ON	OFF	OFF	OFF	ON	OFF	OFF

DETECTOR ASSIGNMENTS

DET (#)	DETECTOR ASSIGNMENT		PHASE	LOOP SIZE (W x L)	LOOP DELAY DATA		DET UNIT RACK & CABLE LABEL
	UNIT (#)	CHANNEL (#)			DELAY IN SECONDS	INHIBIT DELAY DURING GRN	
L6A	1	1	06	Existing	-	-	NB (L)
L6B	1	2	06	Existing	-	-	NB (R)
L1	2	1	01	Existing	3	01	NBLT
L5	2	2	05	6'x25'	3	05	SBLT
L2A	3	1	02	Existing	-	-	SB (L)
L2B	3	2	02	Existing	-	-	SB (R)
L3A	4	1	03	5'x33'	3	03	EBLT (L)
L3B	4	2	03	5'x32'	-	03	EBLT (R)
L8A	5	1	08	5.5'x31'	-	08	EB
L8B	5	2	08	5'x30'	12	08	EBRT
L4	6	1	04	Existing	-	04	WB
L7	6	2	07	Existing	3	07	WBLT

WIRING DIAGRAM LEGEND



ITEM 632 REMOVAL OF TRAFFIC EXISTING SIGNAL INSTALLATION, AS PER PLAN

QUANTITY	REMOVED ITEM DESCRIPTION	DELIVERED TO 1820 E 17th AV	DISPOSED OF BY PROJECT
2	TRAFFIC PULL BOX	X	
4	PEDESTRIAN PUSHBUTTON	X	
1	SIGNAL WIRES (LUMP SUM)		X
4	FOUNDATIONS		X
1	SIGNAL CONDUIT (LUMP SUM)		X
1	CONTROLLER	X	
1	SPAN WIRE (LUMP SUM)		X
8	PEDESTRIAN SIGNAL HEAD	X	
8	SIGNAL HEADS	X	
1	POWER SERVICE		X
3	SIGNAL POLES	X	
1	PEDESTAL	X	

NOTES:

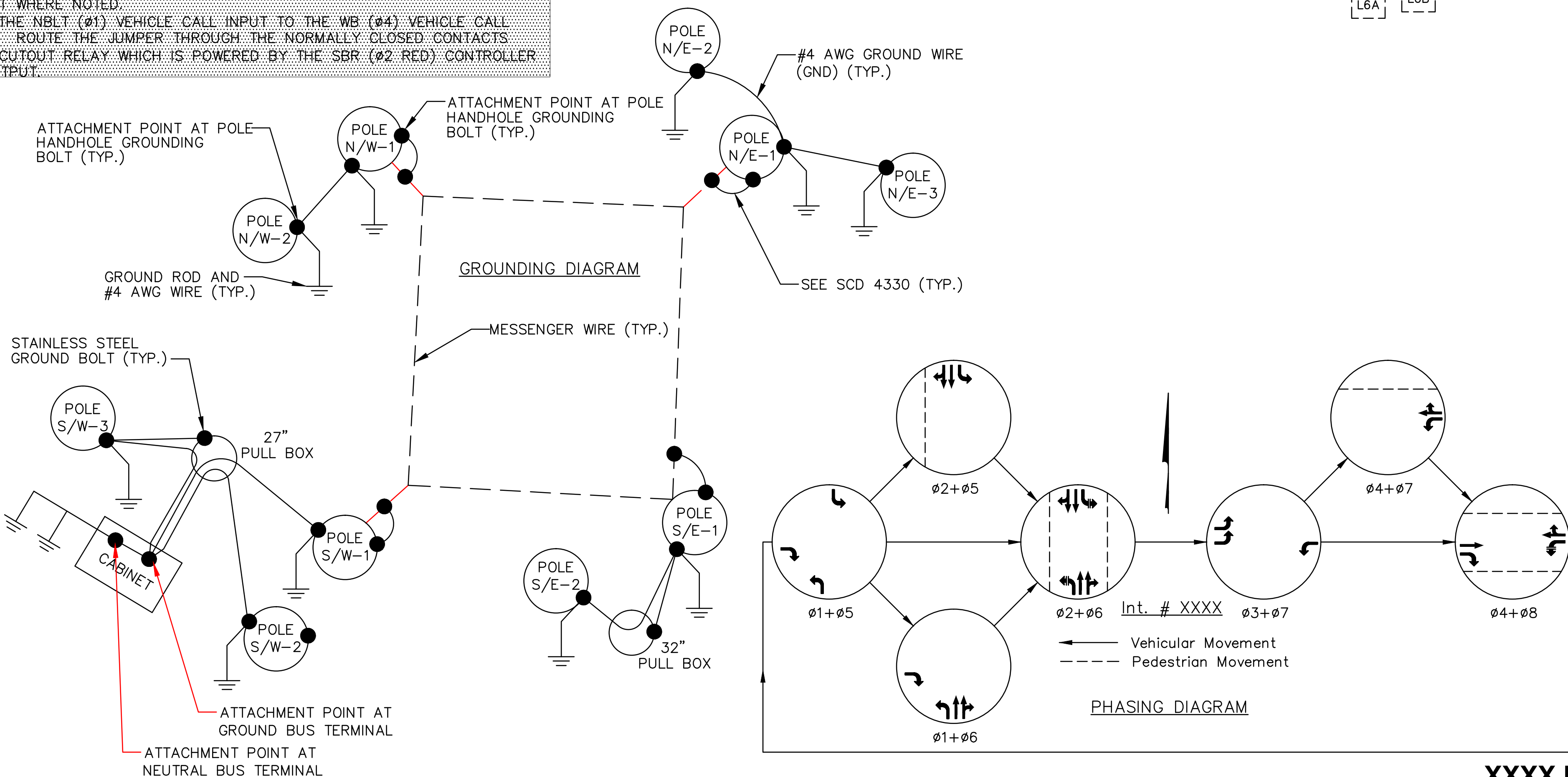
- SET CONFLICT MONITOR FOR 10 SEC FLASH.
- LOOP DETECTOR LEAD-IN CABLE SHALL BE USED FOR THE PEDESTRIAN PUSHBUTTONS. GROUND THE SHIELD ONLY AT THE CABINET. SET ALL PRESENCE LOOP CHANNELS TO COUNT MODE.
- SET ALL 6'x6' LOOP CHANNELS TO PULSE MODE.
- ALL LOOP SPADE TERMINALS SHALL HAVE THE LOOP HOMERUN WIRE SOLDERED TO THE SPADE TERMINAL. THE LOOP HOMERUN WIRES SHALL BE TWISTED TOGETHER AS CLOSE TO THE SPADE TERMINAL SCREWS AS POSSIBLE. THE GROUNDING POINT SHALL BE THE CLOSEST BACK PANEL WIRE.
- A) HARD WIRE DETECTOR GROUND. B) INSTALL A 1/2" 'OMIT' INP THROUGH THE THRC. C) INSTALL A 1/2" 'OMIT' INP THROUGH THE THRC. D) USE DIODES. E) INSTALL DIGI #7 AND #8.
- CONTROLLER SOFTWARE: A) INITIALIZE IN. B) ENABLE DUAL ENTRY. ACTIVATE 04 & 08. C) ENABLE SIMULTANEOUS GAP OUT. ACTIVATE 02, 04, 06 & 08.
- INTERCONNECT FEEDER CABLE SHALL BE CONTINUOUSLY RUN BETWEEN THE CONTROLLER CABINET AND THE COAX DEVICE. NO SPLICES ARE PERMITTED EXCEPT WHERE NOTED.
- JUMPER THE NBLT (01) VEHICLE CALL INPUT TO THE WB (04) VEHICLE CALL INPUT. ROUTE THE JUMPER THROUGH THE NORMALLY CLOSED CONTACTS OF A CUTOUT RELAY WHICH IS POWERED BY THE SBR (02 RED) CONTROLLER DC OUTPUT.

PLAN SHEET NOTES ARE ISSUED BY THE CITY OF COLUMBUS. ONLY USE NOTES APPLICABLE TO THE PROJECT.

INTERSECTION LAYOUT NOTES:

- The Contractor shall ensure that all sidewalks/pathways meet ADA guidelines per City specifications.
- Power service and interconnect cable shall be continuous with no splices except as noted.
- For signing and pavement markings, see sheet(s) XX-XX.
- Center all loops in the center of their lane unless specified otherwise. Install loops after the asphalt surface course is laid.
- The top of the pole base foundation shall be edged using a 1/2" sidewalk edger instead of being chamfered.
- The Transportation Division Personnel shall approve bolt alignment, pole foundation location and elevation prior to the Contractor installing the foundation.
- Tagging of cable in the trench shall be done in accordance with the City of Columbus specifications. Tagging of cable in the trench shall be done in accordance with the City of Columbus specifications.
- The pedestrian signal head (ramp) that is opposite a sidewalk shall be installed on the sidewalk.
- Do not encase the ground foundation. Full access to the foundation shall be maintained.
- Any signal support base of the sidewalk shall be installed on the sidewalk.
- The Contractor shall not install any signal support base of the sidewalk.
- Underground conduit and trench shall be installed prior to the placement of the sidewalk.
- The Contractor shall provide the designated power source. Power cables shall not be bundled with signal cables.
- See interconnect schema.
- For continuation of conduit, see sheet(s) XX.
- Use a separate conduit for each grouping of cables unless otherwise indicated: one conduit for 120VAC signal cable (5C, 7C, 9C); one conduit for power; one conduit for 2 conductor cable (loop & pushbutton); and one conduit for interconnect cable (twisted pair, fiber optics or coax). Any other low voltage cable not specified above can be placed in the 2 conductor cable conduit. Power cable must be in its own conduit.
- Unless otherwise specified the following shall apply. A preformed PVC conduit elbow shall be used to change the PVC conduit direction beyond what its natural bending flex would yield. Rigid metal conduit can be bent to form an elbow or any other bending angle required only if a proper conduit bending machine is used. The elbow radius for any non-interconnect conduit shall be 24" or larger when used in a horizontal or vertical manner. Any type of elbow used for interconnect conduit shall have a radius of 36" or larger when used in a horizontal direction or in a vertical direction when the trench is 36" or deeper. If the trench is less than 36" then the vertical elbow radius shall be 24".
- All clamps and banding material shall be painted to match the signal supports.

PLAN SHEET NOTES ARE ISSUED BY THE CITY OF COLUMBUS. ONLY USE NOTES APPLICABLE TO THE PROJECT.



REVISED 4/11/14

SCALE
CALCULATED XXX
CHECKED XXX

TRAFFIC SIGNAL DETAILS
STREET A AT STREET B

PROJECT NAME

XXX
XXX