

REVISED 4/11/14

U:\NEW ARRAY DESIGN\Design & Construction\Design\Plan\_Review\SAMPLE SHEETS (E-Plan)\TEST -2014 SAMPLE PLAN File Re-org\CAD (Test 2014 Working Dwg)\1\_11 MAST ARM SAMPLE PLAN.dwg Last Saved By: mrodriguez, 5/16/2014 2:32 PM, Last Printed By: tgonzalez, 5/16/2014 2:35 PM (No Xrefs)

FIELD WIRING HOOK-UP CHART

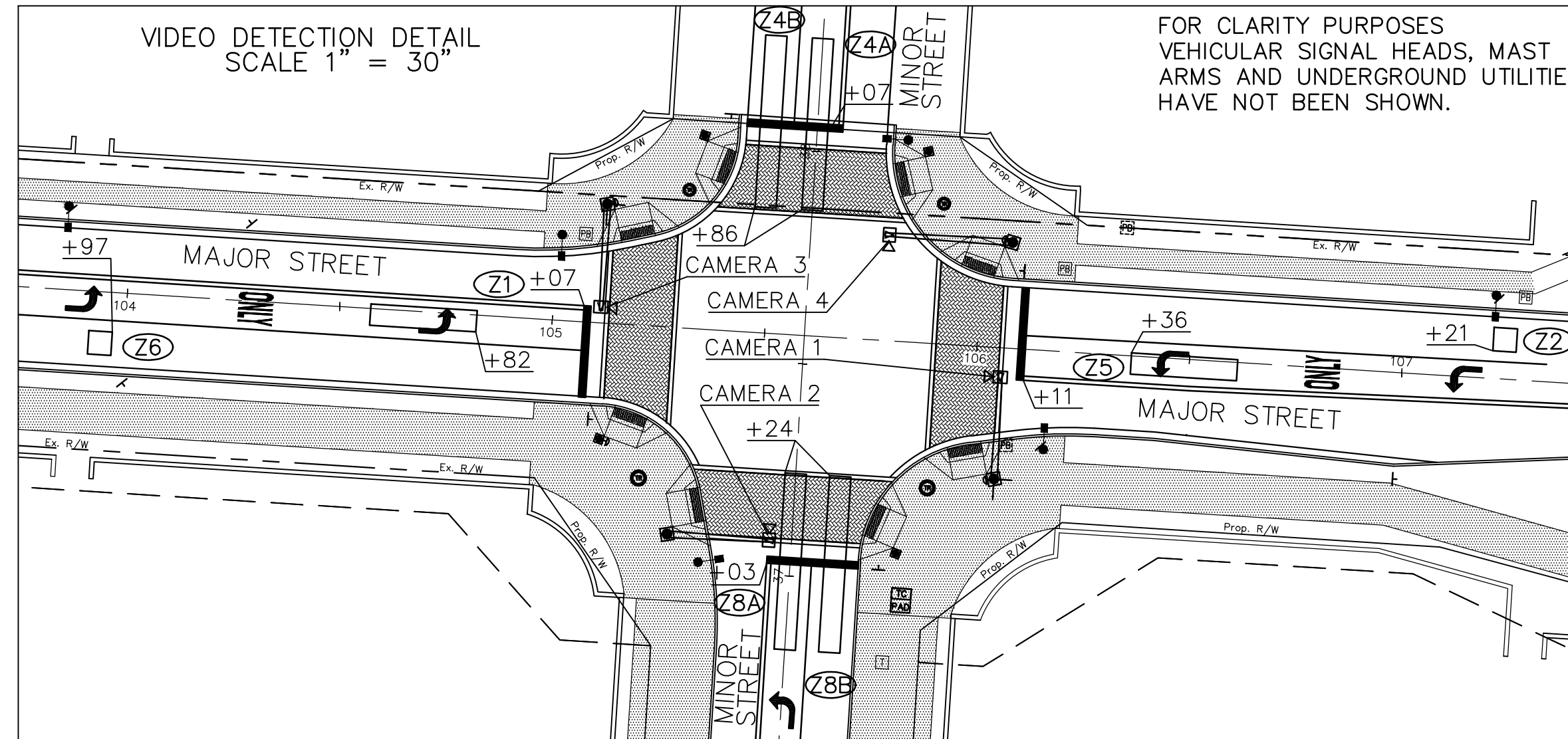
SIGNAL HEAD #	INDICATION	FIELD TERMINAL	FLASH
1 (EBLT)	R	ø6 R	Y
	Y	ø6 Y	
	G	ø6 G	
	←	ø1 Y	
2 (EB)	R	ø6 R	Y
	Y	ø6 Y	
	G	ø6 G	
	←	ø1 G	
3 & 4 (SB)	R	ø4 R	R
	Y	ø4 Y	
	G	ø4 G	
	←	ø2 R	
5 (WBLT)	Y	ø2 Y	Y
	G	ø2 G	
	←	ø5 Y	
	←	ø5 G	
6 (WB)	R	ø2 R	Y
	Y	ø2 Y	
	G	ø2 G	
7 & 8 (NB)	R	ø8 R	R
	Y	ø8 Y	
	G	ø8 G	
N	WALK	G ø2-W	OFF
	DON'T WALK	R ø2-DW	
S	WALK	G ø6-W	OFF
	DON'T WALK	R ø6-DW	
E	WALK	G ø8-W	OFF
	DON'T WALK	R ø8-DW	
W	WALK	G ø4-W	OFF
	DON'T WALK	R ø4-DW	

TIMING CHART

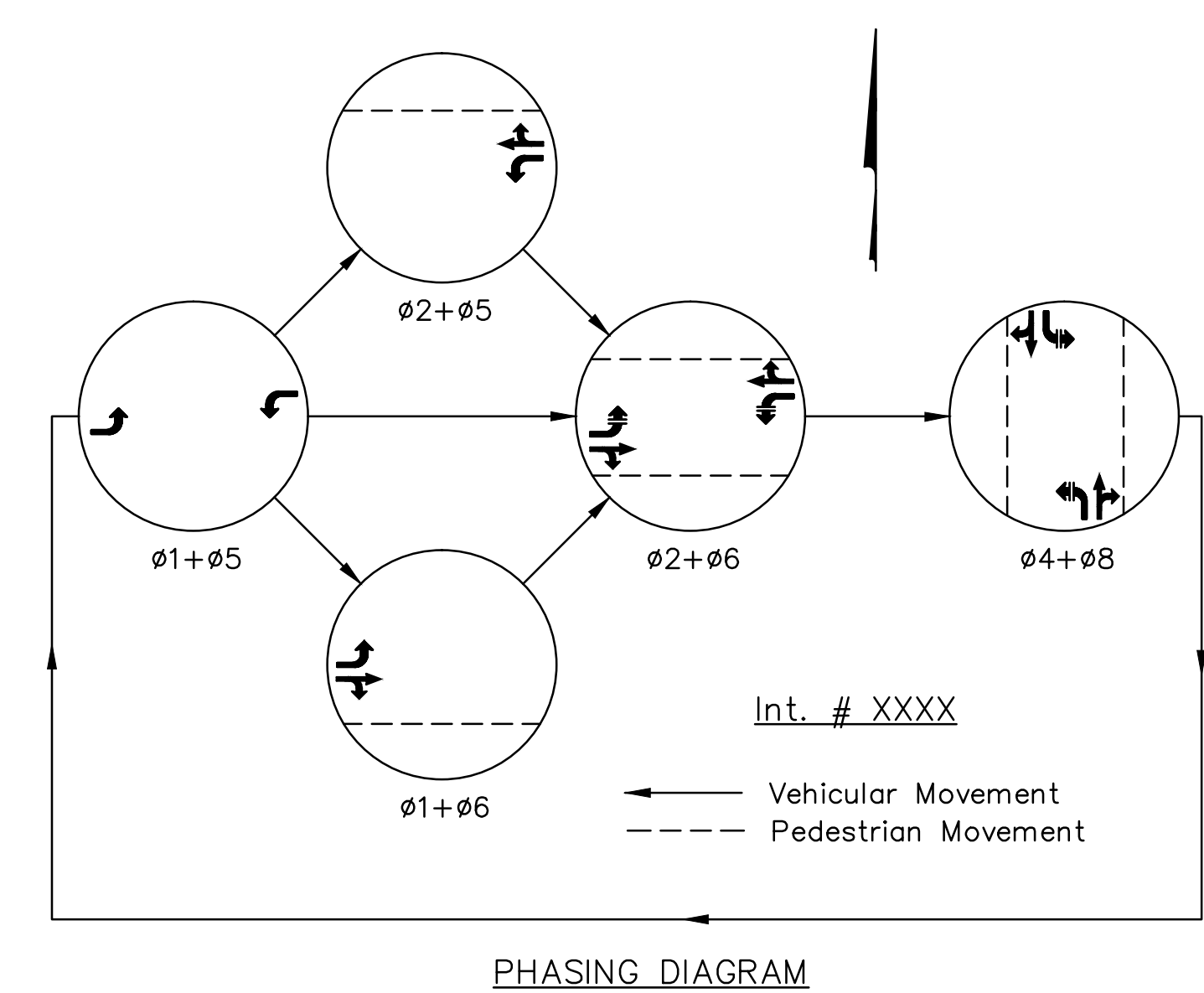
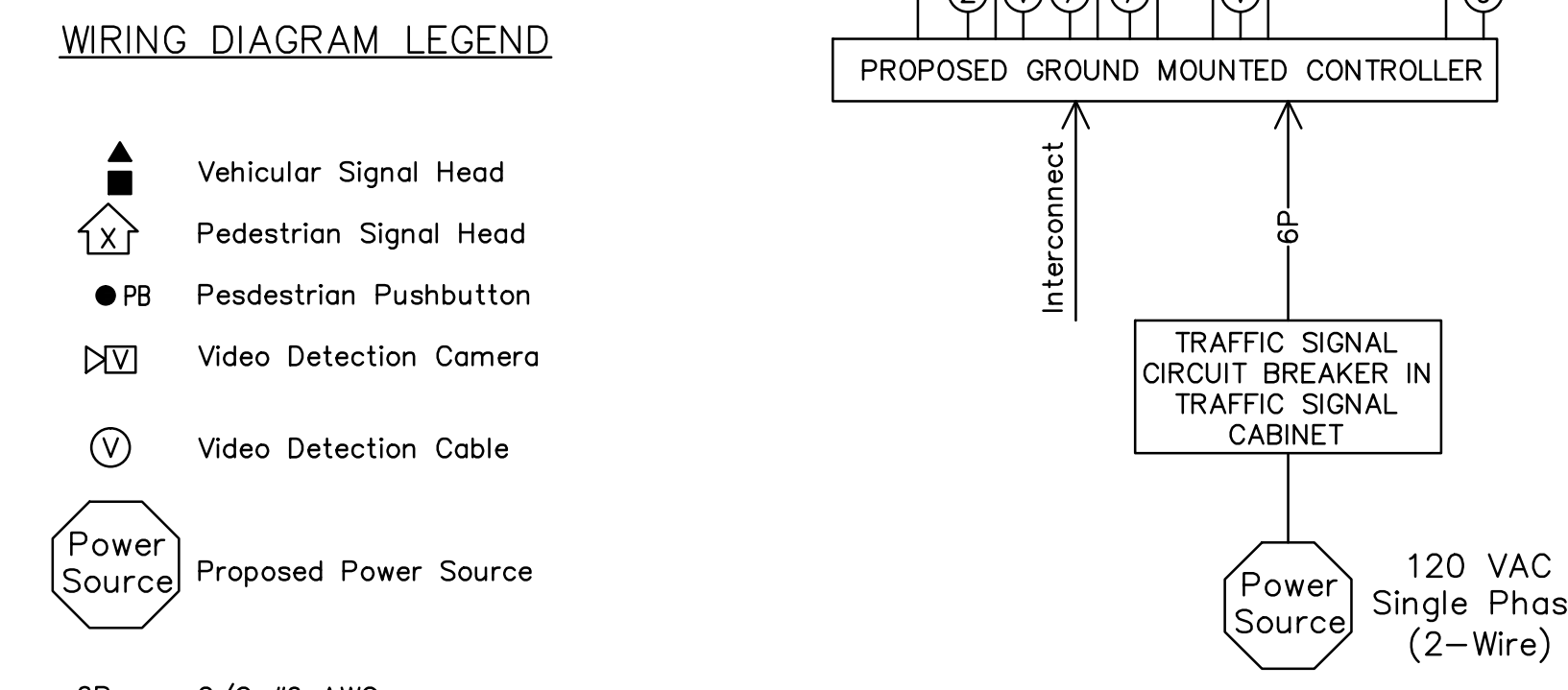
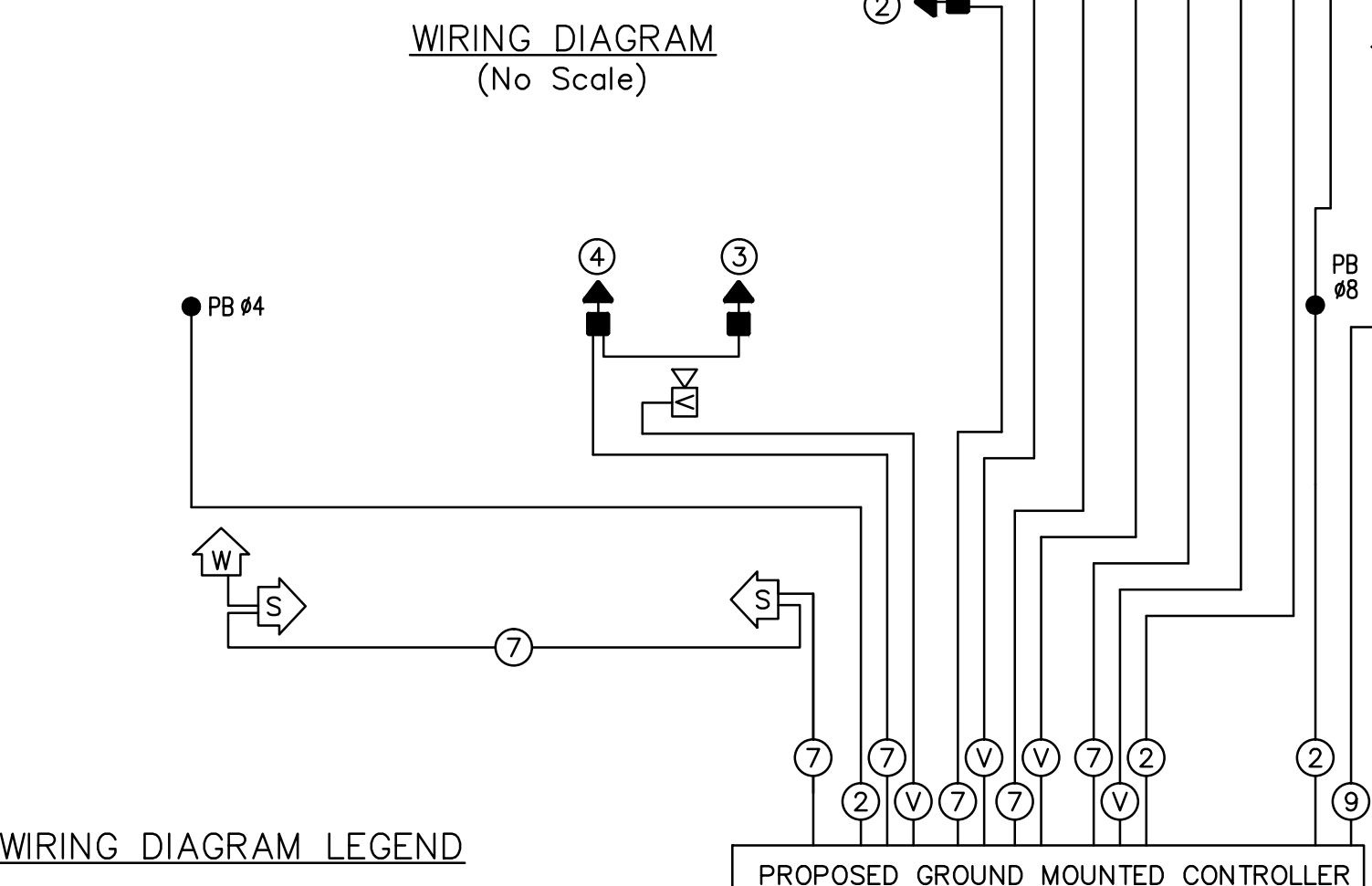
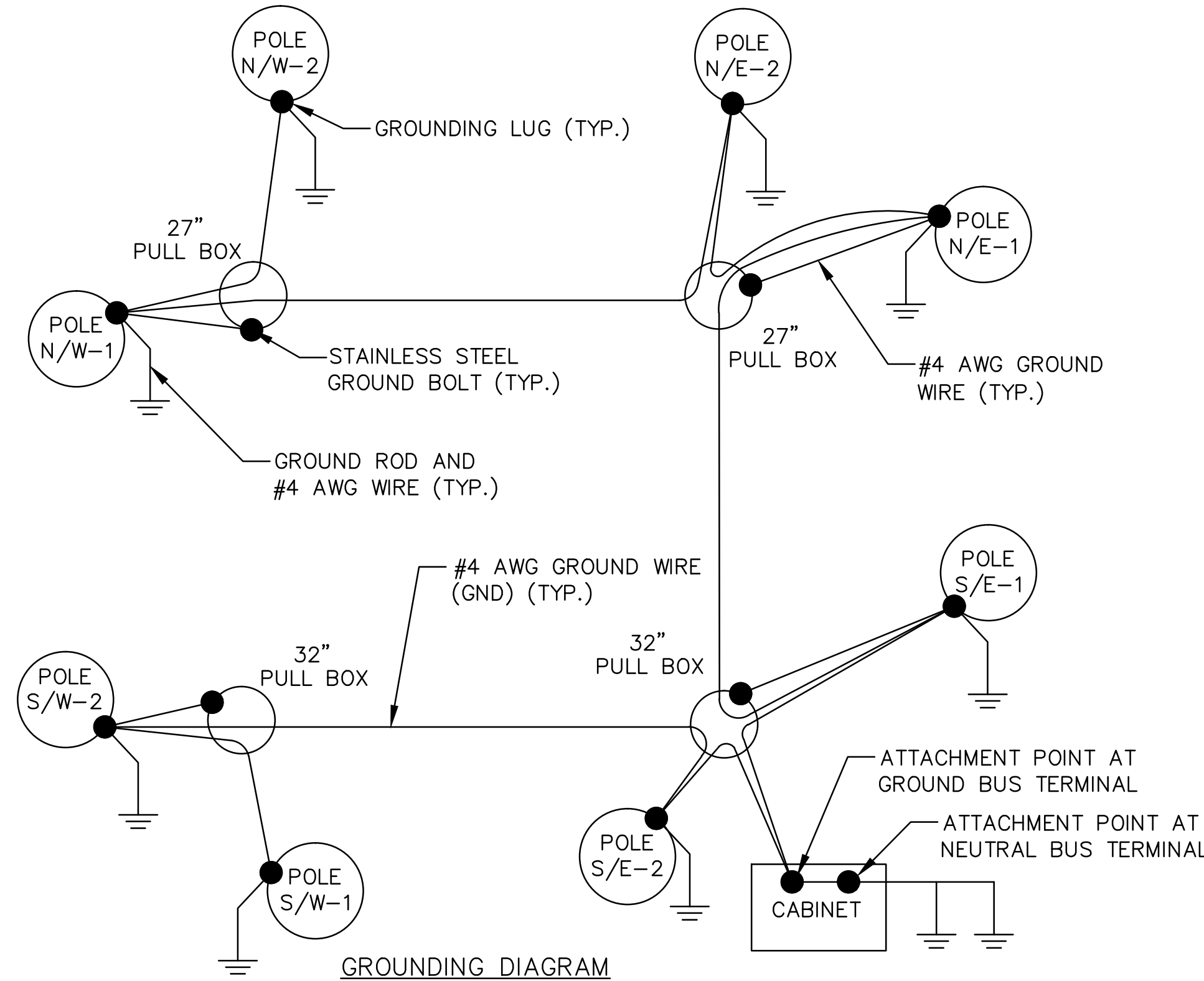
PHASE	ø1	ø2	ø3	ø4	ø5	ø6	ø7	ø8
MOVEMENT	EBLT	WB	NBLT	SB	WBLT	EB	SBLT	NB
MIN INITIAL	7	20	-	10	7	20	-	10
WALK	-	7	-	7	-	7	-	7
PED CLR	-	10	-	11	-	11	-	11
PASS / EXT	3.7	3.7	-	3.7	3.7	3.7	-	3.7
YELLOW	3.0	3.6	-	3.0	3.0	3.6	-	3.0
RED CLR	2.7	1.7	-	2.8	2.7	1.7	-	2.9
MAX GRN 1	15	40	-	20	15	40	-	20
MAX GRN 2	15	40	-	20	15	40	-	20
PED RECALL	OFF	ON	-	OFF	OFF	ON	-	OFF
VEH RECALL	OFF	ON	-	OFF	OFF	ON	-	OFF
MEMORY	OFF	ON	-	OFF	OFF	ON	-	OFF

VIDEO DETECTION ASSIGNMENTS

DETECTOR	CAMERA	PHASE	SIZE	PULSE	PRESENCE	LOOP DELAY DATA	
						DELAY (SEC.)	INHIBIT DELAY DURING GREEN ø
Z1	1	ø1	5'x25'		X	3	ø1
Z2	3	ø2	5.5'x5.5'	X		-	-
Z4A	2	ø4	5'x40'		X	3	ø4
Z4B	2	ø4	5.5'x40'		X	8	ø4
Z5	3	ø5	5'x25'		X	3	ø5
Z6	1	ø6	5.5'x5.5'	X		-	-
Z8A	4	ø8	5'x40'		X	3	ø8
Z8B	4	ø8	5.5'x40'		X	8	ø8



- NOTES:
- SET CONFLICT MONITOR FOR 10 SEC FLASH.
  - LOOP DETECTOR LEAD-IN CABLE SHALL BE USED FOR THE PEDESTRIAN PUSHBUTTONS. GROUND THE SHIELD ONLY AT THE CABINET.
  - BACK PANEL WIRING (FRONT SIDE JUMPERS ONLY)
    - HARD WIRE "PED RECYCLE" AND "REST-IN-WALK" TO GROUND. HOOK THE WTS AS INDICATED.
    - INS PLAN SHEET NOTES ARE ISSUED BY THE CITY OF COLUMBUS. ONLY USE NOTES APPLICABLE TO THE PROJECT.
    - INS OUTPUT AND ø5 OMITTED DURING THE
    - INS OUTPUT AND ø5 OMITTED DURING THE
  - USE DIODES TO PREVENT FEEDBACK ON MULTI-USE TERMINALS. CONTROLLER SOFTWARE PROGRAMMING
    - INITIALIZE IN ø2 & ø6 GREEN
    - ENABLE DUAL ENTRY. ACTIVATE ø4 & ø8
    - ENABLE SIMULTANEOUS GAP OUT. ACTIVATE ø2, ø4, ø6 & ø8.



PROJECT NAME: TRAFFIC SIGNAL DETAILS STREET A AT STREET C  
 CALCULATED: XXXX  
 CHECKED: XXXX  
 SCALE: None  
 XXXX E