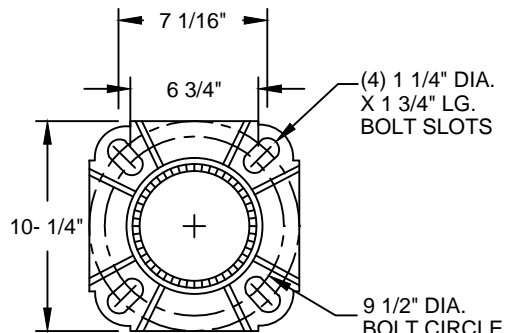
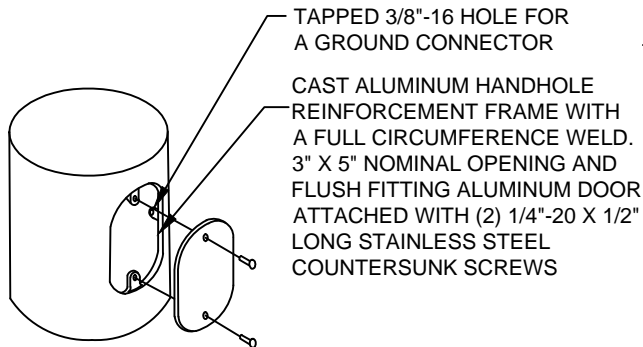


10.7' DECORATIVE PEDESTAL

CITY OF COLUMBUS, OHIO DEPARTMENT OF PUBLIC SERVICE DIVISION OF DESIGN AND CONSTRUCTION	STD DWG 4106
	6/1/2018
CITY ENGINEER	SHT 1 OF 2



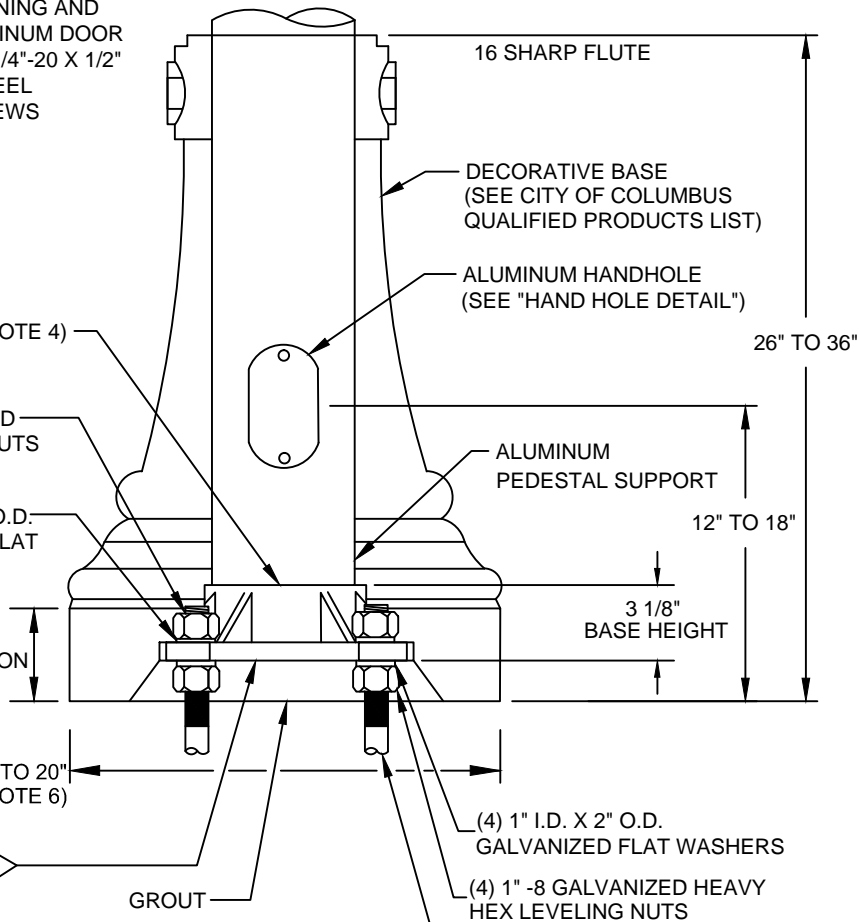
BASE PLATE DETAIL



HANDHOLE DETAIL

TAPPED 3/8"-16 HOLE FOR A GROUND CONNECTOR

CAST ALUMINUM HANDHOLE REINFORCEMENT FRAME WITH A FULL CIRCUMFERENCE WELD. 3" X 5" NOMINAL OPENING AND FLUSH FITTING ALUMINUM DOOR ATTACHED WITH (2) 1/4"-20 X 1/2" LONG STAINLESS STEEL COUNTERSUNK SCREWS



BASE DETAIL

NOTES:

1. PEDESTAL SUPPORTS SHALL BE COATED IN ACCORDANCE WITH THE PLANS.
2. PEDESTAL SUPPORTS SHALL BE DESIGNED FOR 90 MPH WINDS, APPROPRIATE GUST FACTOR AND LOADING AS PER PLAN.
3. FOUR ANCHOR BOLTS SHALL BE INCLUDED WITH NUTS, LOCK WASHERS AND EIGHT (8) SHIMS.
4. THE POLE BASE SHALL TELESCOPE THE POLE SHAFT. THE BASE SHALL BE WELDED TO THE POLE SHAFT BY TWO CIRCUMFERENTIAL WELDS: ONE ON THE OUTSIDE OF THE POLE AT THE BASE TOP AND ONE ON THE INSIDE OF THE BASE AT THE POLE BOTTOM.
5. FOR FOUNDATION DETAILS SEE CITY OF COLUMBUS STANDARD DRAWING 4163.
6. A 17" DECORATIVE BASE SHALL BE USED FOR FOUNDATIONS WITH AN 18" SQUARE FORMED TOP.

10.7' DECORATIVE PEDESTAL

CITY OF COLUMBUS, OHIO
DEPARTMENT OF PUBLIC SERVICE
DIVISION OF DESIGN AND CONSTRUCTION

**STD DWG
4106**

6/1/2018

CITY ENGINEER

SHT 2 OF 2