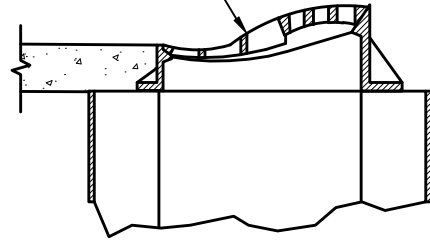
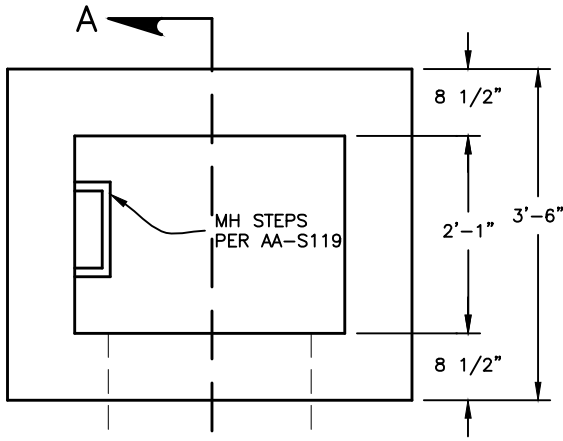


CASTING PER AA-S129  
FOR MOUNTABLE INLETS

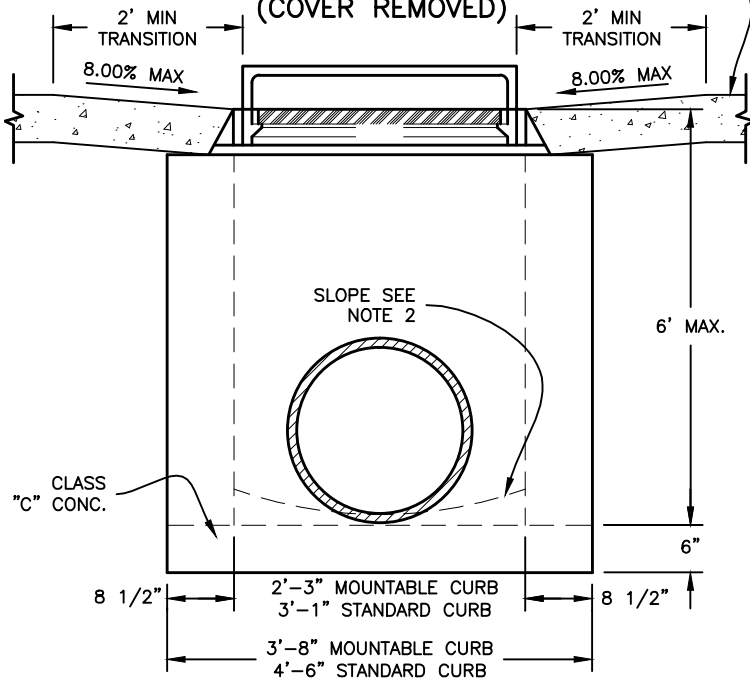


**MOUNTABLE INLET**

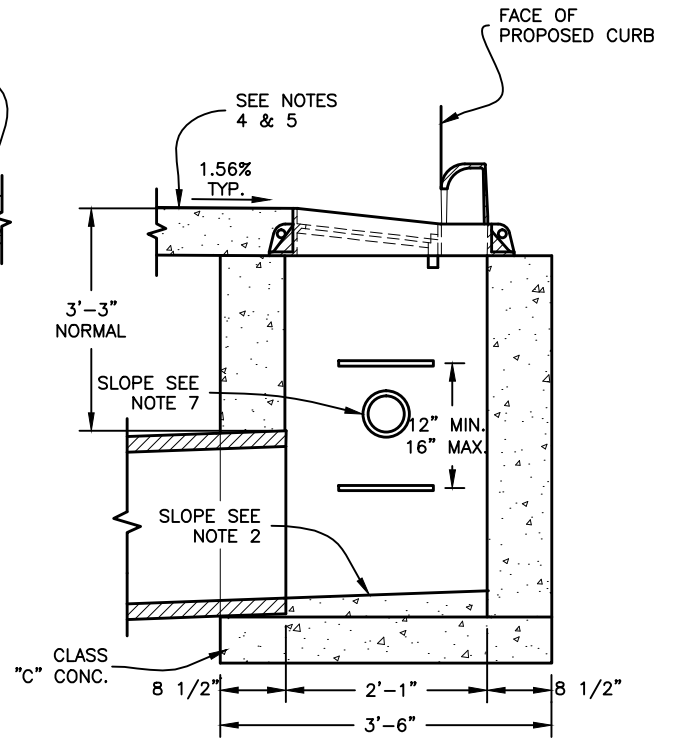


**PLAN VIEW  
(COVER REMOVED)**

SEE NOTES  
4 & 5



**ELEVATION**



**SECTION A-A**

**NOTES:**

1. PRECAST STRUCTURES SHALL BE IN ACCORDANCE WITH ASTM C913, HAVE A MIN. 6" THICKNESS, AND BE SUFFICIENTLY REINFORCED FOR SHIPPING AND HANDLING. ALL CONCRETE SHALL BE CLASS "C".
2. THE INLET BOTTOM SHALL BE SHAPED TO PROVIDE A MINIMUM SLOPE OF 2" TO OUTLET PIPE. THE CROSS SECTIONAL FORM AND LONGITUDINAL SLOPE SHALL BE ADAPTED TO LOCATION OF OUTLET PIPE AS DIRECTED.
3. OUTLET PIPE MAY BE LOCATED IN FRONT OR BACK AND SHALL BE DIRECTED TOWARDS CENTER OF INLET.
4. THE EXISTING GUTTER WITHIN THE AREA AROUND INLET WHERE CUT OUT, SHALL BE REPLACED WITH CLASS "C" CONC. OR ASPHALT CONC. PAVING AS ORDERED.
5. BACKFILLING WITHIN PROPOSED PAVED AREAS SHALL BE IN ACCORDANCE WITH ITEM 912.
6. STRUCTURES SHALL BE CAST IN PLACE CONCRETE, CLASS "C", OR PRECAST CONCRETE.
7. PLACE 4" CURB DRAIN STUBS 30" BELOW TOP OF CURB OR AS DIRECTED.
8. MAXIMUM PIPE DIAMETERS ARE 18" INTO SIDE WALLS AND 24" INTO FRONT OR BACKWALLS.
9. MOUNTABLE INLETS DO NOT REQUIRE MANHOLE STEPS.

CITY OF COLUMBUS, OHIO  
DEPARTMENT OF PUBLIC UTILITIES  
DIVISION OF SEWERAGE & DRAINAGE

*John J. Newson*

SSES MANAGER

STANDARD  
CURB AND GUTTER  
INLET

STANDARD DRAWING  
AA-S125A

REVISED 8/8/14

PAGE

1  
1