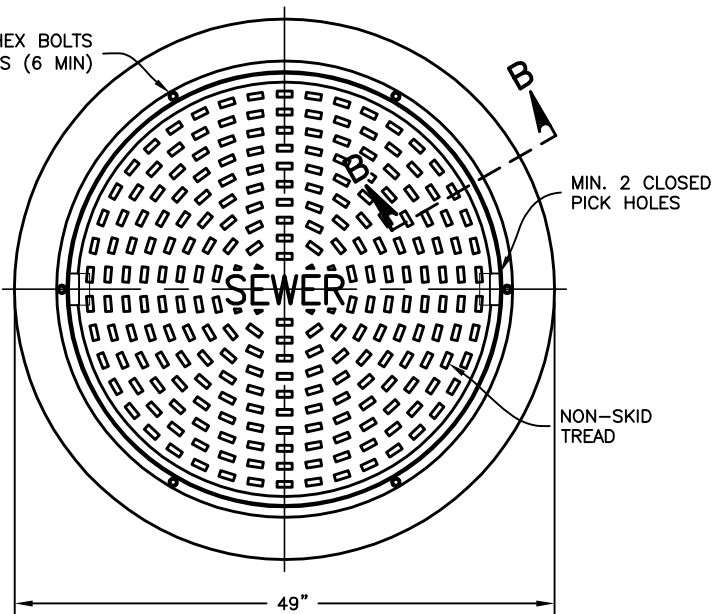
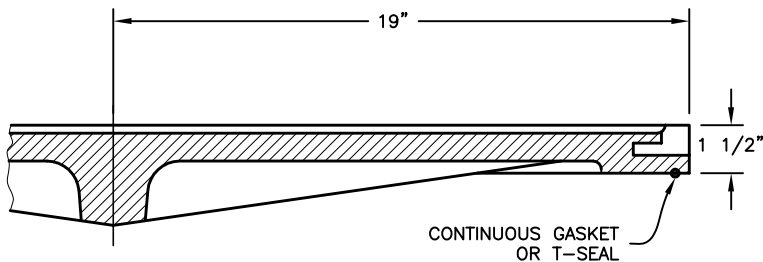


BOTTOM VIEW - LID

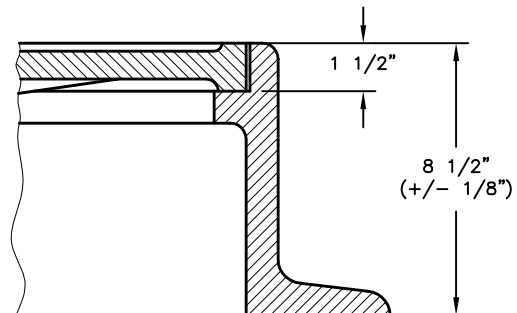
1/2" SS HEX BOLTS AND WASHERS (6 MIN)



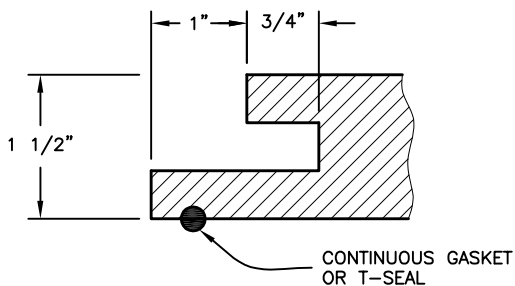
TOP VIEW OF ASSEMBLY



SECTION A-A



SECTION B-B



PICK HOLE
DETAIL

PRE-APPROVED CASTINGS:

NEENAH NO. - 1916-K

NOTES:

1. FRAMES, GRATES, AND COVERS SHALL MEET THE REQUIREMENTS OF 604.02 AND AASHTO M 306.
2. APPROXIMATE WEIGHT = 240LBS.

CITY OF COLUMBUS, OHIO
DEPARTMENT OF PUBLIC UTILITIES
DIVISION OF SEWERAGE & DRAINAGE

Handwritten signature

SSES MANAGER

STANDARD DIMENSIONS
FOR 38" BOLT-DOWN
FRAME & COVER

STANDARD DRAWING
AA-S144

REVISED 9/12/22

PAGE

1

1