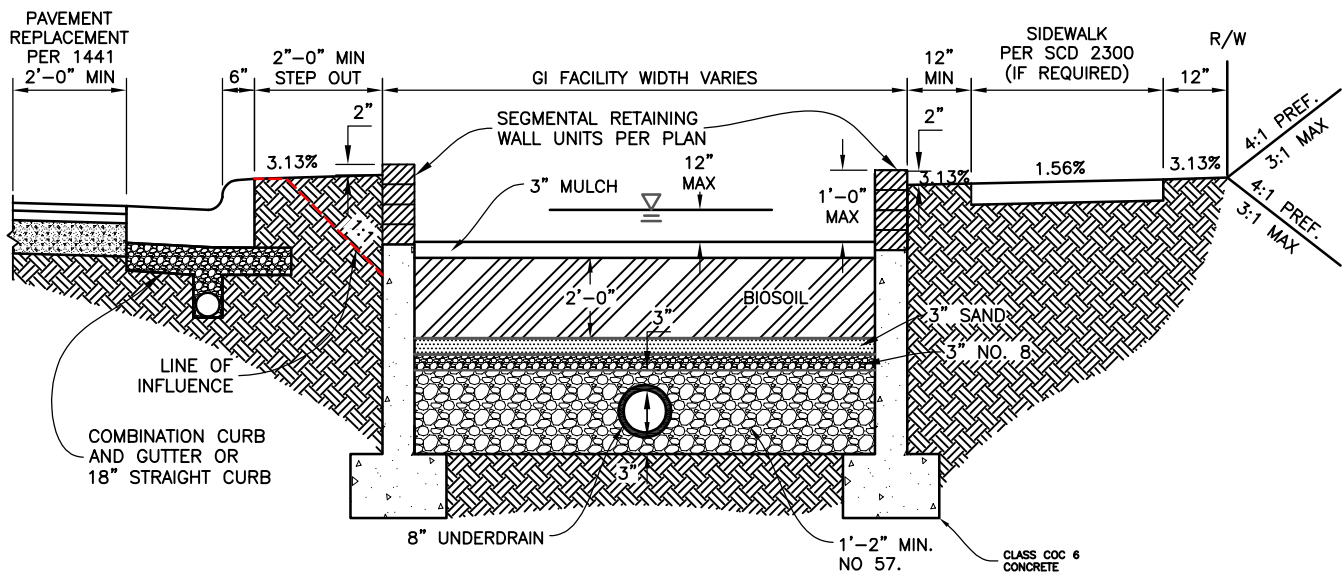


NOTES

- 1) OUTLET AND/OR OVERFLOW CONTROLS ARE GENERALLY ONLY NEEDED AT SAGS OR IN FACILITIES THAT REQUIRE A MINIMUM DRAW DOWN TIME. IF CONTROL IS NOT NECESSARY, A CLEAN OUT SHALL BE INSTALLED.



NOTES:

1. PRECAST WALLS/BOXES SHALL BE IN ACCORDANCE WITH ASTM-C913 UNLESS DETAILED DESIGNS ARE PROVIDED WITHIN THE CONSTRUCTION DOCUMENTS.
2. IF A BASIN DOES NOT REQUIRE AN OVERFLOW OR OUTLET CONTROL DEVICE, A SINGLE, CENTERED INLET IS ALLOWABLE.
3. DRAINAGE NOTCHES TO BE INSTALLED AT BASIN CORNERS AND ON 20' SPACING WHEN BASIN IS ADJACENT TO SIDEWALK

CITY OF COLUMBUS, OHIO
DEPARTMENT OF PUBLIC UTILITIES
DIVISION OF SEWERAGE & DRAINAGE

BIO RETENTION BASIN
WITH TWO WALLS NOT
ADJACENT TO CURB LINE
OR SIDEWALK

STANDARD DRAWING
AA-S186

REVISED 8/19/22

APPROVED:

[Signature]

8/26/22

DATE

SSSES MANAGER

PAGE

1

1