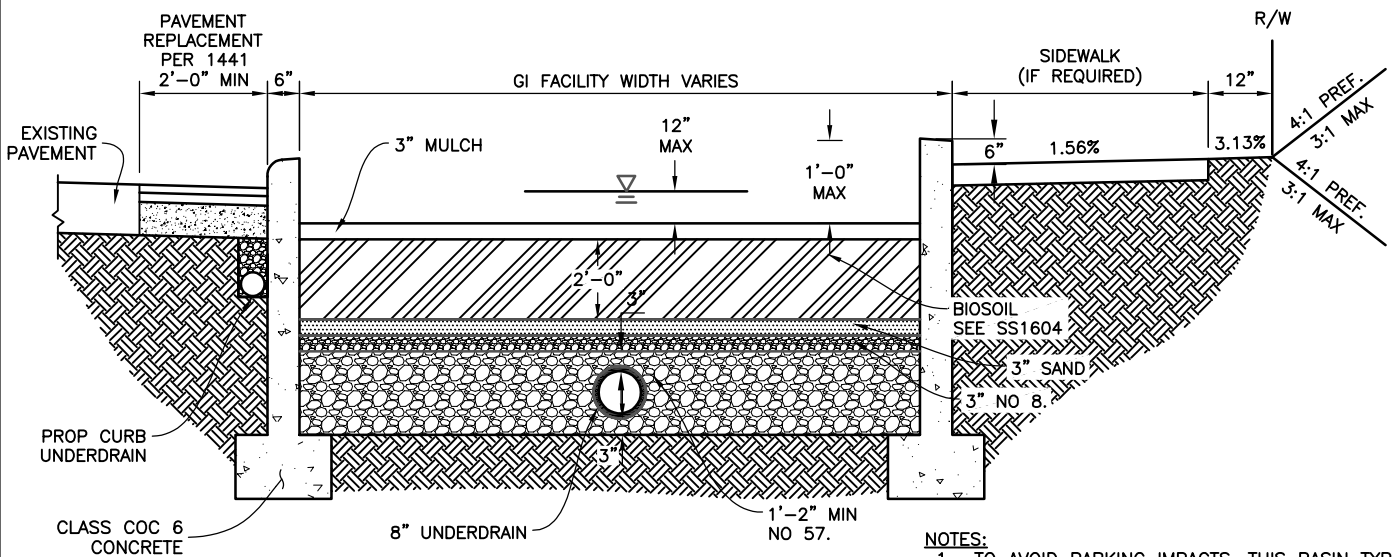


**Type F Basin: Plan View**  
No Scale

**NOTES**

- 1) OUTLET AND/OR OVERFLOW CONTROLS ARE GENERALLY ONLY NEEDED AT SAGS OR IN FACILITIES THAT REQUIRE A MINIMUM DRAW DOWN TIME. IF CONTROL IS NOT NECESSARY, A CLEAN OUT SHALL BE INSTALLED.



**Type F Basin: Profile View**  
No Scale

**NOTES:**

1. TO AVOID PARKING IMPACTS, THIS BASIN TYPE SHOULD ONLY BE USED WHEN NECESSARY AND WITHIN THE ALLOWABLE LIMITS OF THE PARKING STUDY PROTOCOL.
2. IF EXISTING WALKS ARE PRESENT THE NEW WALK SHALL BE IMMEDIATELY ADJACENT TO THE REAR WALL.
3. THE INTERIOR WALL EXPOSED FACES SHALL BE STAMPED CONCRETE.
4. PRECAST WALLS/BOXES SHALL BE IN ACCORDANCE WITH ASTM-C913 UNLESS DETAILED DESIGNS ARE PROVIDED WITHIN THE CONSTRUCTION DOCUMENTS.
3. IF A BASIN DOES NOT REQUIRE AN OVERFLOW OR OUTLET CONTROL DEVICE, A SINGLE, CENTERED INLET IS ALLOWABLE
4. DRAINAGE NOTCHES/HOLES TO BE INSTALLED AT BASIN CORNERS AND ON 20' SPACING WHEN BASIN IS ADJACENT TO SIDEWALK

CITY OF COLUMBUS, OHIO  
DEPARTMENT OF PUBLIC UTILITIES  
DIVISION OF SEWERAGE & DRAINAGE

BIORETENTION BASIN  
WITH TWO WALLS  
ADJACENT TO CURB

STANDARD DRAWING  
AA-S187

APPROVED:

*[Signature]*

8/26/22

SSSES MANAGER

DATE

REVISED 8/19/22

PAGE

1

1