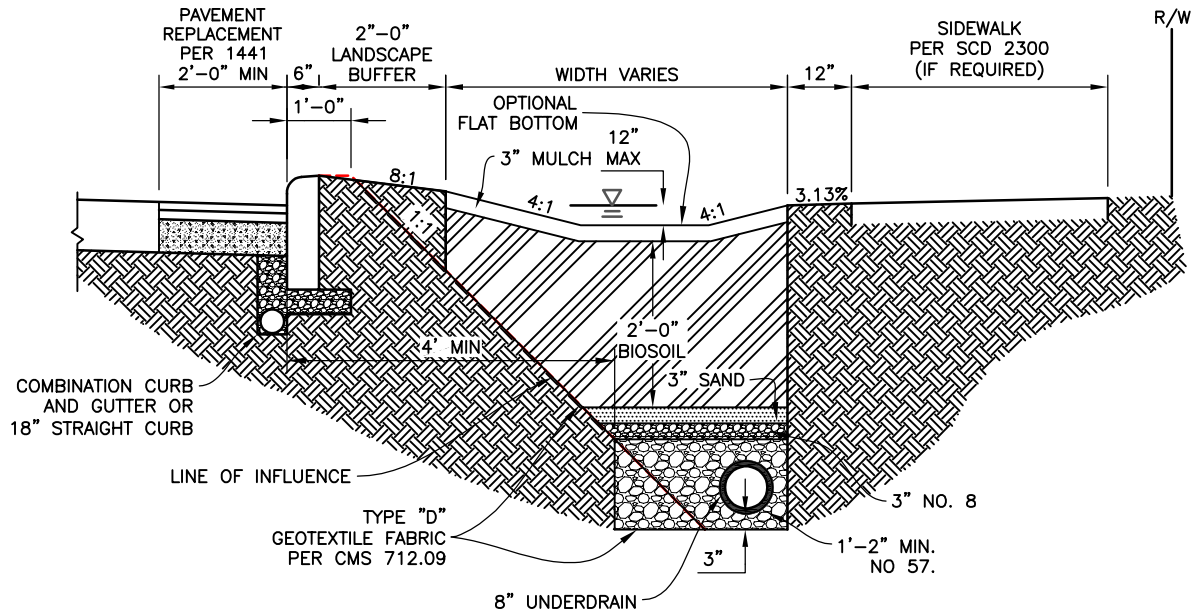


Type I Basin: Plan View

No Scale

NOTES

- 1) OUTLET AND/OR OVERFLOW CONTROLS ARE GENERALLY ONLY NEEDED AT SAGS OR IN FACILITIES THAT REQUIRE A MINIMUM DRAW DOWN TIME. IF CONTROL IS NOT NECESSARY, A CLEAN OUT SHALL BE INSTALLED.



Type I Basin: Profile View

No Scale

CITY OF COLUMBUS, OHIO
DEPARTMENT OF PUBLIC UTILITIES
DIVISION OF SEWERAGE & DRAINAGE

BIORETENTION BASIN
WITH NO WALLS

STANDARD DRAWING
AA-S190

REVISED 8/19/22

APPROVED:

[Signature]

8/26/22

SSES MANAGER

DATE

PAGE

1

1