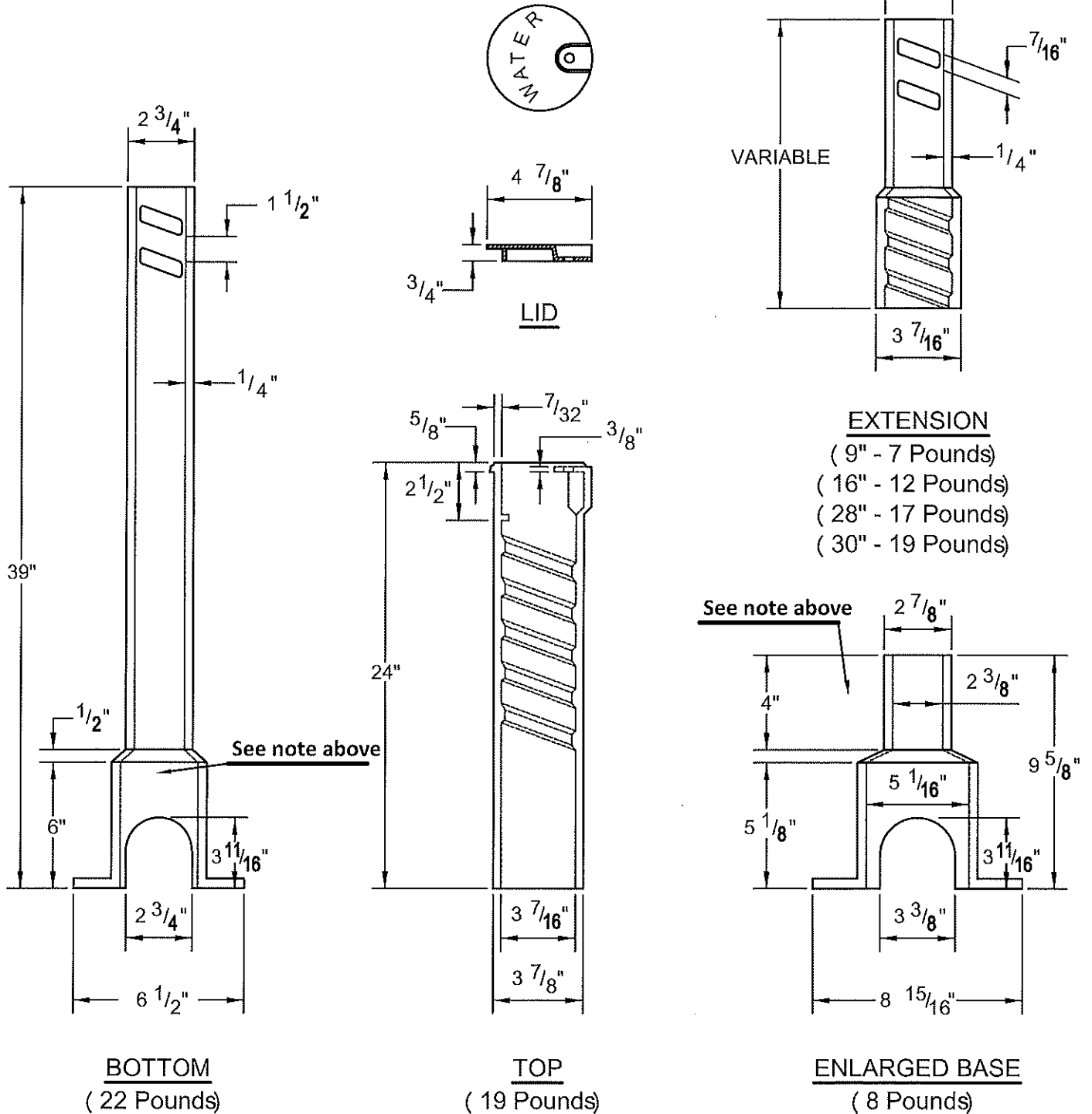


Note: The bottom 6 inches of the box shall be wrapped with PVC outer wrap tape, as listed in the Approved Materials List



L-1001.Dwg Revision Date: 9/16/22

CITY OF COLUMBUS DEPARTMENT OF PUBLIC UTILITIES DIVISION OF WATER		STANDARD DETAIL		
APPROVED: <i>[Signature]</i>		TYPICAL CURB BOX		
ADMINISTRATOR		DATE: 9/21/22		