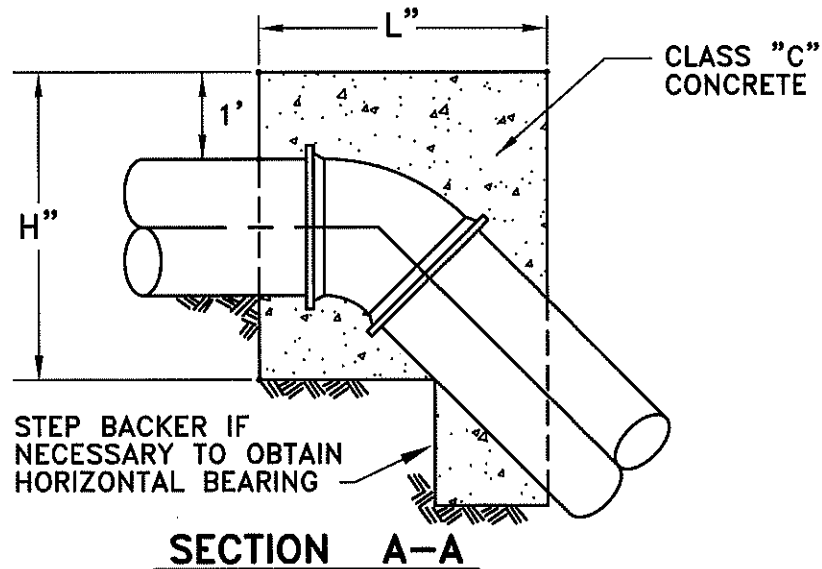
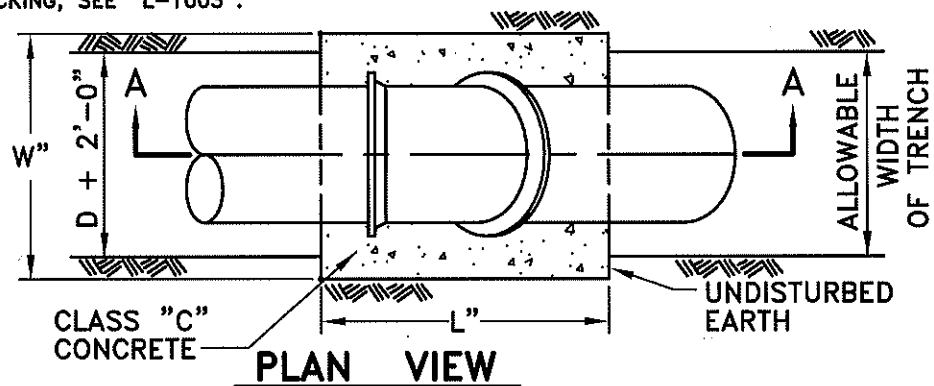


PIPE SIZE	11.25°				22.5°				45°			
	L"	W"	H"	Vol.	L"	W"	H"	Vol.	L"	W"	H"	Vol.
3"	12	18	12	1.5	13	25	16	3.0	18	30	19	5.9
4"	12	24	16	2.6	16	30	18	5.0	22	36	24	11.0
6"	12	48	18	6.0	15	43	36	13.4	30	55	24	22.9
8"	12	63	24	10.5	18	57	34	20.2	36	57	33	39.2
12"	20	54	36	22.6	37	62	37	49.0	48	62	51	87.9
16"	31	65	38	44.3	60	65	39	88.1	65	65	65	159.2

NOTES:

- VOLUMES GIVEN IN CUBIC FEET.
- BACKER TO BE CENTERED HORIZONTALLY ON BEND.
- STEEL WILL BE USED AS REQUIRED BY THE ENGINEER.
- ALL NEW PIPE 20" & LARGER SHALL BE RESTRAINED JOINT PER CCMS ITEM 801 UNLESS OTHERWISE PER PLAN OR AS DIRECTED BY THE ENGINEER.
- EXISTING WATER MAINS 20" AND GREATER MUST HAVE PRIOR APPROVAL FROM DOW TO LOWER UNDER A PROPOSED UTILITY. APPROVAL WILL ONLY BE GIVEN UNDER SPECIAL CIRCUMSTANCES AND CONTINGENT UPON THE CONTRACTOR SUBMITTING A DESIGNED DRAWING, STAMPED BY A PROFESSIONAL ENGINEER, DETAILING HOW THE LOWERED WATER MAIN WILL BE RESTRAINED TO THE EXISTING WATER MAIN.
- WHERE POLYETHYLENE ENCASEMENT IS REQUIRED, ALL GLANDS & BOLTS SHALL BE WRAPPED PRIOR TO PLACEMENT OF CONCRETE BLOCKING, SEE "L-1003".



CITY OF COLUMBUS
DEPARTMENT OF PUBLIC UTILITIES
DIVISION OF WATER

APPROVED:
R. C. Westerfeld
ADMINISTRATOR

1-26-18
DATE

STANDARD DETAIL
BACKING FOR VERTICAL BENDS
(OVER BENDS ONLY)

