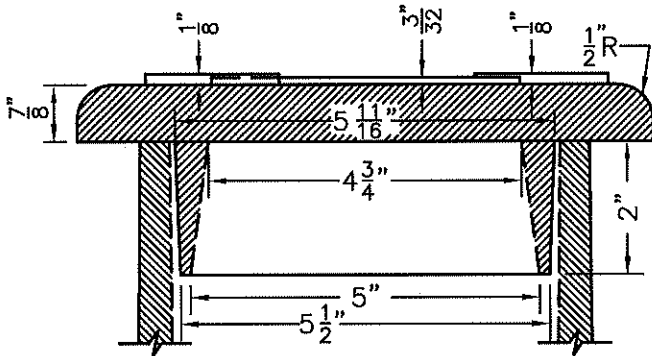
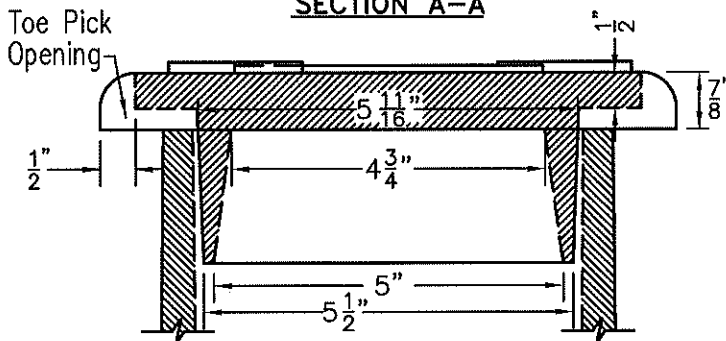


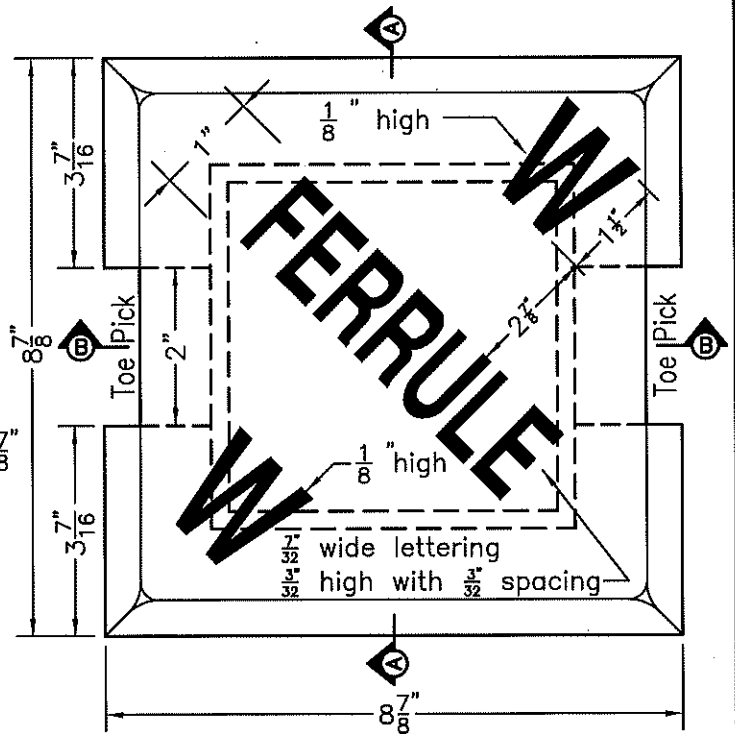
FERRULE VALVE BOX - 54 LBS.



SECTION A-A



SECTION B-B



FERRULE VALVE BOX COVER - 22 LBS.

L-6320.Dwg Revision Date: 1/2/13

CITY OF COLUMBUS
DEPARTMENT OF PUBLIC UTILITIES
DIVISION OF WATER

APPROVED:

R.C. Westerfield 1-26-18
ADMINISTRATOR DATE

STANDARD DETAIL

C.I. FERRULE BOX
AND COVER

L-6320