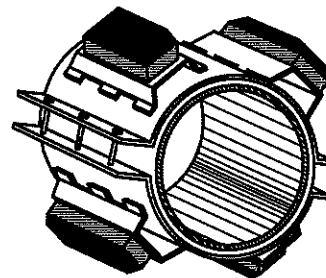
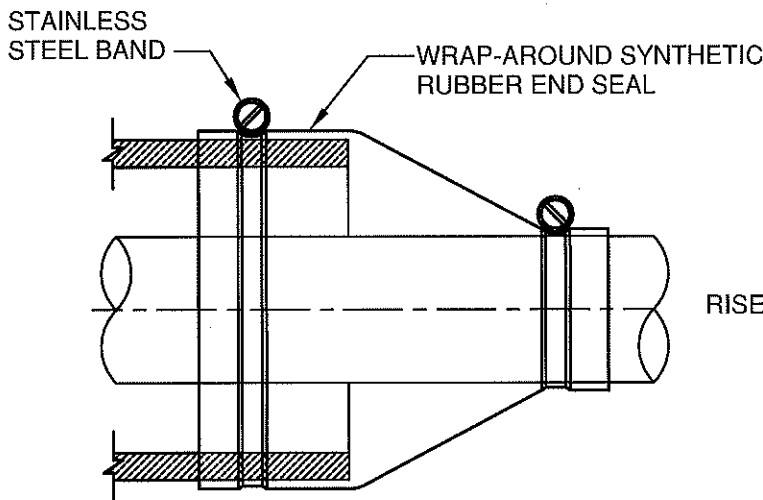


SIZE WATER MAIN	MAX. BELL O.D.	MIN. SMOOTH STEEL CASING PIPE REQ'D.
6"	10.19"	16"
8"	13.19"	18"
12"	17.25"	24"
16"	22.38"	30"
20"	27.25"	36"
24"	31.56"	42"
30"	38.75"	48"
36"	45.00"	54"
42"	51.25"	60"
48"	58.00"	66"
54"	65.63"	72"
60"	72.38"	84"

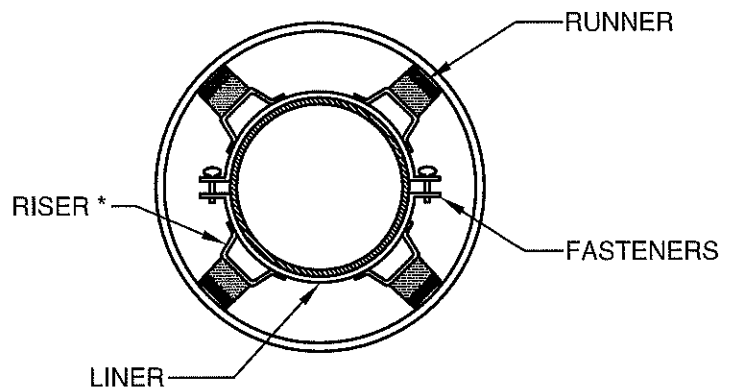
- ① CASING PIPE SIZE BASED ON TYPICAL BELL O.D. OF D.I. RESTRAINED JOINT PIPE MANUFACTURED AND NOMINAL CONCRETE PIPE SIZE.
- ② RESTRAINED JOINT DUCTILE IRON PIPE PER DIVISION OF WATER APPROVED MATERIALS LIST.



* NUMBER OF RUNNERS/RISERS PER MANUFACTURER'S STANDARD.



END SEAL



CENTERED AND RESTRAINED CASING SPACER

L-6324.Dwg Revision Date: 1/19/18

CITY OF COLUMBUS
DEPARTMENT OF PUBLIC UTILITIES
DIVISION OF WATER

APPROVED:
RC Westerfield 1-26-18
ADMINISTRATOR DATE

STANDARD DETAIL
CASING PIPE, SPACERS
AND END SEALS

