

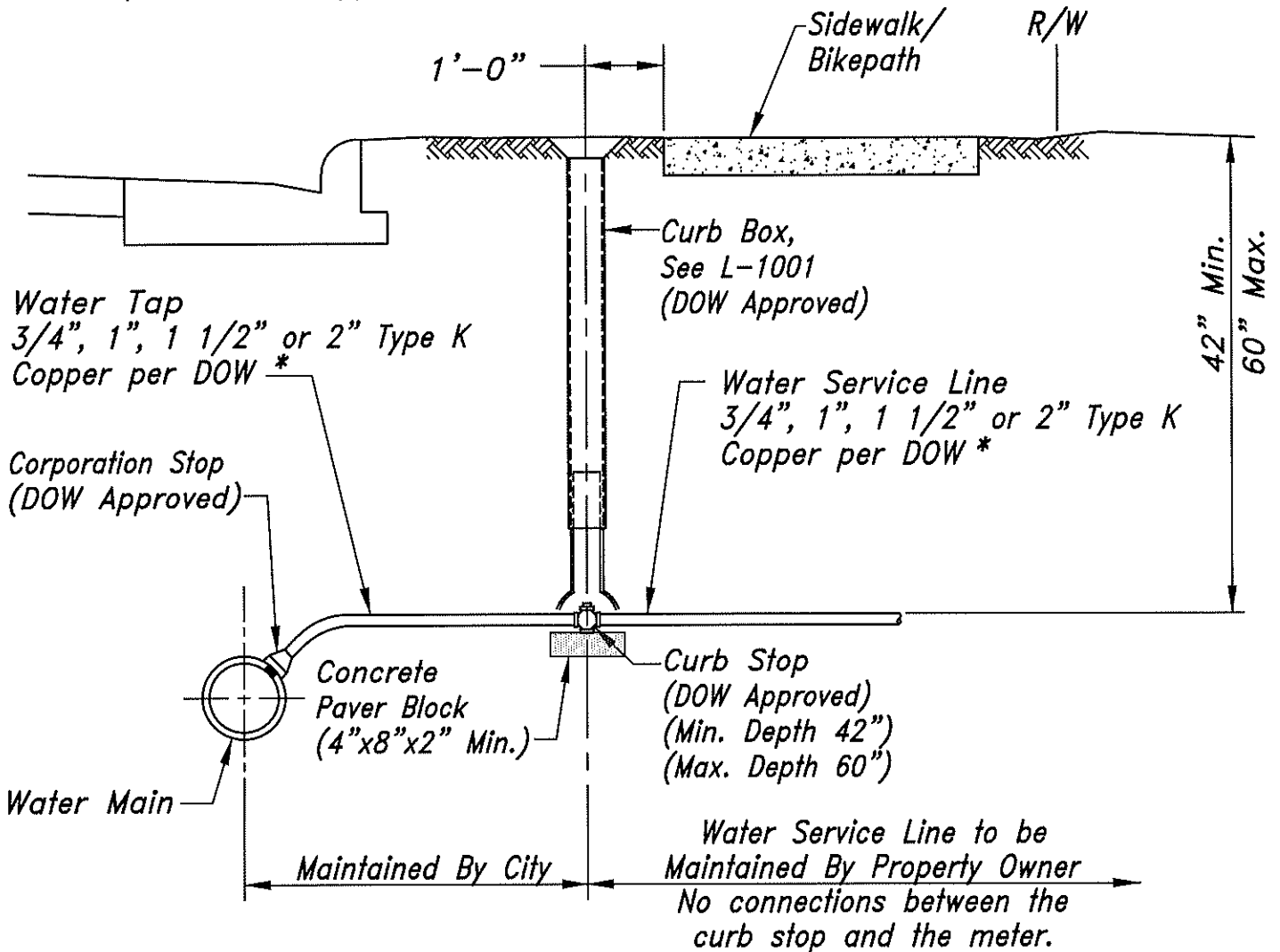
NOTES:

The Curb Box shall be placed 1'-0" from the streetedge of the proposed or existing sidewalk/bikepath.


The Curb Stop Shall Be Installed with Valve Opening Facing the Structure to be served.
The Curb Stop Shall Turn "1/4 Turn" Clockwise From On to Off Position. (Typical)

*** NOTE:**

Pipe Shall Be Copper Tubing Size (C.T.S.)



L-9901.Dwg Revision Date: 5/12/22

<p>CITY OF COLUMBUS DEPARTMENT OF PUBLIC UTILITIES DIVISION OF WATER</p>	<p>STANDARD DETAIL CURB BOX INSTALLATION 3/4" THRU 2"</p>	
<p>APPROVED: <u>B. S. [Signature]</u> 9/21/22 ADMINISTRATOR DATE</p>		