

OUTDOOR JUNCTION BOXES - RIGID CONDUIT SYSTEM

I. Quantity

The base bid shall include the indicated number, size, and type of junction boxes for the rigid conduit system furnished and installed as hereinafter specified and located as shown on the drawings.

II. Material

The junction box shall be casts of feraloy and the cover of copper free aluminum. Box shall be rectangular shape with a circular threaded "O" ring sealed cover. The box shall have union hubs or threaded and provided with union hubs on three sides of the size and configuration as shown on the drawing. The circular cover shall be rain tight and shall have a cone point set screw lock to render it tamper proof. The body shall have a flat back with mounting lugs and be hot dip galvanized. The body dimensions shall be 6 ½" x 7" x 5 ¾" with a 5 ½" diameter cover opening. The box shall be a Model GUB01 as made by Crouse-Hinds or approved equal.

III. Installation

Junction boxes shall be mounted where shown on the drawings and securely fastened to the concrete structure with 3/8" anchor bolts or powder driven studs with nuts.

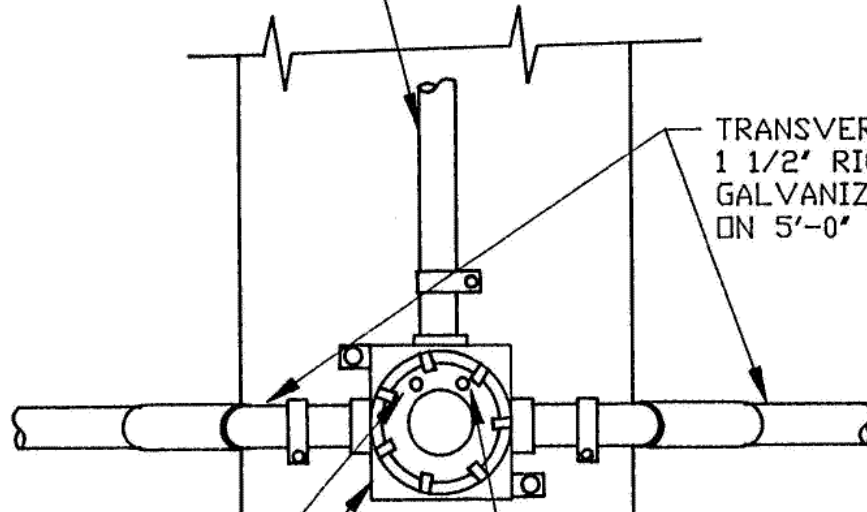
Contractor shall drill and tap circular cover and provide a 1/4" stainless steel socket head cone point set screw which when inserted tightly will lock the circular cover in its closed tightened position.

Installation shall be as shown on DOE Dwg. 01S0090.

IV. Quotation

The junction boxes, union hubs and mounting studs or anchor bolts furnished and installed as herein specified shall be quoted on a unit price each in the appropriate place in this document.

RISER TO LUMINAIRE
 1 1/2" RIGID CONDUIT
 GALVANIZED STRAPS
 ON 3'-0" MAX. SPACING



TRANSVERSE FEEDER
 1 1/2" RIGID CONDUIT
 GALVANIZED STRAPS
 ON 5'-0" MAX. SPACING

DRILL AND TAP
 COVER AND INSTALL
 1/4-20 SOCKET HEAD
 SET SCREW FLUSH
 FOR LOCKING

DRILL + TAP 5/16-18NC
 FOR GROUNDING CAPSCREW-
 GROUND #4 WIRE TO CAPSCREW
 ON INSIDE WALL OF BOX

JUNCTION BOXES - CROUSE - HINDS MODEL
 GUE BO1 SURFACE MOUNTED WITH UNION HUBS,
 RAIN-TIGHT FOR VANDAL RESISTANCE AT ACCESSABLE
 GROUND LEVEL LOCATIONS - AT INACCESSIBLE
 LOCATIONS USE CROUSE-HINDS CONDULET MODEL
 BT MDGUL SERIES WITH GASKETED COVERS WITH
 TYPE UNY UNION CONNECTIONS

REDRAWN BA 9/92

REVISIONS

MELP

MUNICIPAL ELECTRIC LIGHT & POWER SYSTEM
 CITY OF COLUMBUS, OHIO
 DEPT. OF UTILITIES - DIV. OF ELECTRICITY

OUTDOOR JUNCTION BOX

SCALE NONE

DRAWN F/S

DRAWING NO.
 01S0090

C. D. NUMBER

APPROVED

SHEET OF