

STREET LIGHT STANDARD
FOUNDATIONS - Modified Residential

I. Quantity

The base bid shall include the number indicated of modified residential street light standard foundations to be constructed as hereinafter specified at the locations shown on the drawings and located in the field by the engineer.

II. Material

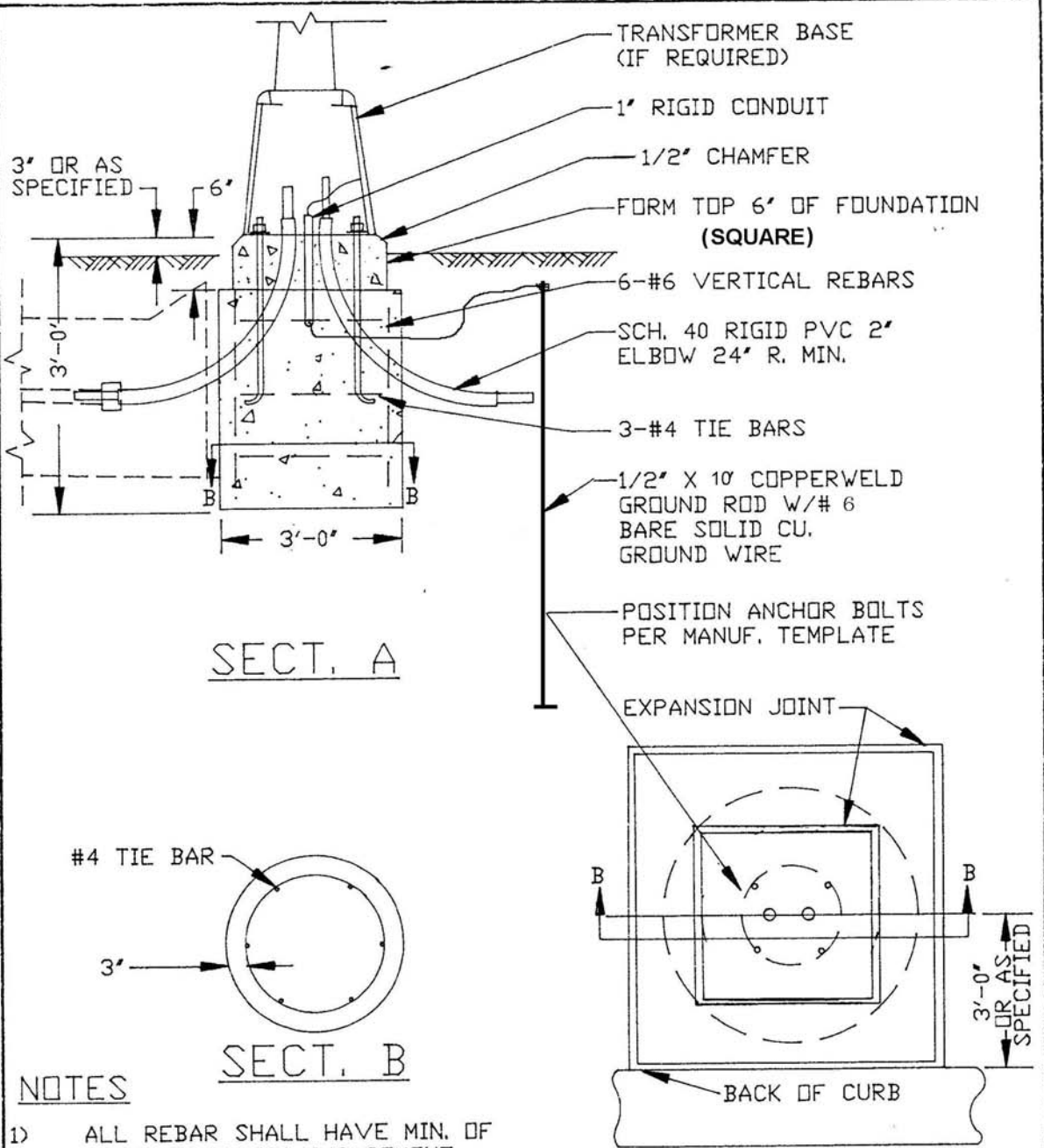
- a. Concrete - The concrete shall be as specified in the Item 499 of the City of Columbus Construction and Materials Specifications Class C.
- b. Anchor Rods - The anchor rods shall be as supplied by the pole manufacturer and in any case shall be not less than 5/8" diameter x 21" hot dipped galvanized.
- c. Shims & Nuts - All shims and nuts shall be hot dipped galvanized.
- d. Conduit Ells -
 - 1) 2" Schedule 40 Conduit System - Conduit ells shall be 2", 90 degree sweep, 24 inch radius, schedule 40 PVC; Carlon schedule 40 conduit or approved equal.
 - 2) 1 1/2" Cable-In-Duct System - The conduit ells shall be 3", 90 degree sweep, 24 inch radius, schedule 40 PVC; Carlon schedule 40 conduit or approved equal.
- e. Ground Rods - The ground rod shall be 1/2" x 10', copperweld (Blackburn #5008).
- f. Reinforcing Bars - All reinforcing bars shall be deformed steel of the size indicated on the referenced drawing.
- g. Ground Rod Clamp - The ground rod clamp shall be a Blackburn #JAB 1/2H or approved equal.

III. Installation

- a. The foundations shall be as shown on drawing 01S0118.
- b. An excavation shall be made in the earth large enough to accommodate the complete foundation. The excess earth and materials shall be disposed of by the contractor as specified in Section 203.05 of the City of Columbus Construction and Materials Specifications. The hole shall be clean and firm to receive the concrete.
- c. All concrete 6" below finished grade shall be formed either round or square with metal or wood forms. All voids shall be filled and rough surfaces removed after removal of forms.
- d. The forms to hold the anchor rods, conduit ells, etc., during the pouring of the concrete shall be wood or metal.
- e. All sidewalks shall be saw cut.
- f. The sidewalk shall be replaced within the expansion joints of the four foot area around the foundations, after foundations have been allowed to set and the backfill earth has been firmly tamped.

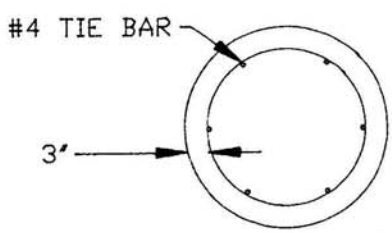
IV. Quotation

The modified residential foundation as hereinbefore specified shall be quoted on as a unit price each in the appropriate place of this document.



3' OR AS SPECIFIED

SECT. A



SECT. B

NOTES

- 1) ALL REBAR SHALL HAVE MIN. OF 3" OF CONCRETE ENCASEMENT
- 2) SCH. 40 RIGID PVC ELBOWS SHALL BE 3' FOR 1 1/2" CABLE-IN-DUCT

FOUNDATION PLAN

REVISIONS MAY 2, 1995 AUG 17 2007	MELP MUNICIPAL ELECTRIC LIGHT & POWER SYSTEM CITY OF COLUMBUS, OHIO DEPT. OF UTILITIES - DIVISION OF ELECTRICITY		
	RESIDENTIAL ST. LTG. MODIFIED FOUNDATION		
	SCALE NO SCALE C. D. NUMBER	DRAWN LM 1/94 APPROVED	DRAWING NO. 01S0118 SHEET OF