

Transmission & Distribution
Material & Installation Specification

Pole Key

I. Quantity

The base bid shall include the indicated number of pole key anchor plates furnished and installed as hereinafter specified.

II. Material

A. Pole Key - The pole key anchor shall be an expanding type with a minimum expanded area of 270 sq. in. The key shall be Chance #P4817 or approved equal.

III. Installation

- A. The installation shall be as shown on drawing TDMIS-113.
- B. Pole shall be set and tamped in accordance with TDMIS-1 titled WOOD POLES.
- C. A key plate shall be installed 16" below finished grade after fully expanded and another at the bottom of excavation at pole butt on the opposite side of pole from the upper key plate.
- D. Key plates shall be expanded with the use of a proper expanding and tamping bar designed and intended for the purpose.

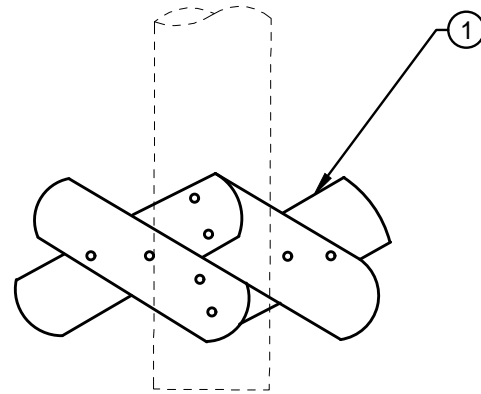
IV. Method of measurement

Pole key expanding plates, shall be per "pair", one at top of excavation and one at bottom shall constitute one pole key.

V. Basis of payment

| Items | Unit | Description |
|-----------|------|-------------|
| TDMIS-113 | Pair | Pole key |

| | | |
|-------------------------------------------------------------------------------|------------------|------------------|
| CITY OF COLUMBUS DEPT. OF PUBLIC UTILITIES – DIVISION OF POWER POLE KEY | | |
| DRAWN BY: AEC | DATE: 01/01/2018 | TDMIS-113 |
| APPROVED: R. SPRITE | | |
| SHEET 1 of 2 | | |



DETAIL 1
POLE KEY

| ITEM LIST | | | |
|-----------|-----------------------|-------------------------------------------------------------------------|------------------|
| ITEM # | DESCRIPTION | PART # | QTY. |
| ① | KEY, POLE - EXPANDING | 19238 | 2 |
| | | CITY OF COLUMBUS, OHIO DEPT. OF PUBLIC UTILITIES - DIVISION OF POWER | |
| | | POLE KEY | |
| | | MPKEY | |
| | | DRAWN BY: AEC | DATE: 01/01/2018 |
| | | APPROVED: R. SPRITE | |
| | | SCALE: NTS | SHEET: 2 OF 2 |
| | | TDMIS-113 | |