

**Transmission & Distribution
Material & Installation Specification**

Non-Metallic Service Pedestal

I. Quantity

The base bid shall include the indicated number of Non-Metallic Service Pedestals of this type furnished and installed as hereinafter specified.

II. Material

- A. The material shall be equal in quality, design, performance, and appearance to the items specified on drawing TDMIS-1402.
- B. This specification covers the minimum requirements for cable junction pedestals designed for service applications.
- C. Pedestal shall be made of fiberglass reinforced polymer of high back design.
- D. All externally facing fiberglass reinforced polymer shall be gel coated. Gel coat color shall be Willow green (light) or Munsell green as approved by engineer.
- E. The fiberglass reinforced polymer shall be made with fire retardant resin and shall be 100% UV stabilized.
- F. The fiberglass reinforced polymer shall be resistant to typical roadside chemicals. The fiberglass material shall conform to the chemical resistance criteria listed in the latest revision of ANSI/SCTE 77. Specimens shall be exposed to the chemicals as follows:

| Chemical | Common Use | Concentration |
|-------------------|------------------------|---------------|
| Sodium Chloride | Road De-Icer | 5% |
| Sulfuric Acid | Battery Acid | 0.1N |
| Sodium Carbonate | Water Softener | 0.1N |
| Sodium Sulfate | Detergents | 0.1N |
| Hydrochloric Acid | Mineral Acid / Cleaner | 0.2N |
| Sodium Hydroxide | Lye / Caustic Soda | 0.1N |
| Acetic Acid | Solvent / Vinegar | 5% |

| | | |
|--------------------|-----------------|---------------|
| Kerosene | Jet Fuel | Per ASTM D543 |
| Transformer | Oil Mineral Oil | Per ASTM D543 |
| Magnesium Chloride | Road De-Icer | 5% |

- G. The pedestal locking device shall be of cast aluminum-bronze or silicon-bronze with captive 188 stainless steel hardware. The locking device shall have provisions for a padlock.
- H. Pedestal shall have ABD bronze casting with stainless steel penta bolt and pivot locking mechanism.
- I. The pedestal shall meet all criteria set forth in ANSI C57.12.28, Pad-mounted Equipment Enclosure Integrity Standard.
- J. The pedestal cover shall be completely removable to allow access to cables, grounding, and connections.
- K. Grounding shall be as required by TDMIS-1213 and TDMIS-1607.

III. Installation

- A. The installation shall be as shown on drawing TDMIS-1402.
- B. Pedestals shall be installed on a composite ground sleeve as required by project specifications and drawings.
- C. Installation shall include all labels, tags and stickers required by DOP.
- D. Pedestals shall be installed level and plumb. When installed on ground sleeves over direct buried cable trenches, care shall be taken that cabinet is positioned over undisturbed soil alongside the trench to avoid settlement.

IV. Method of measurement

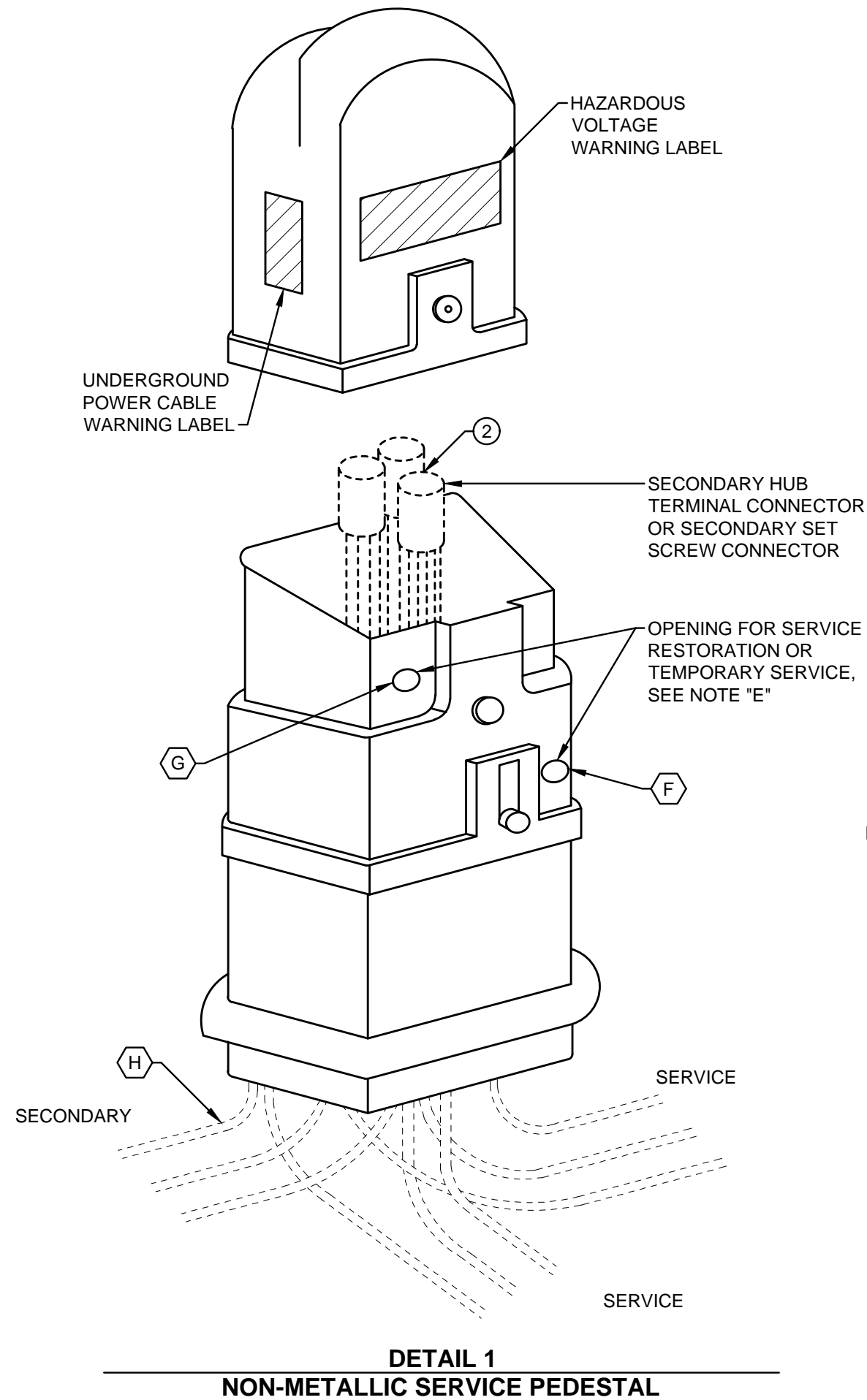
Shall include pedestal and all mounting and locking hardware, installation, ground sleeves, anchors, excavation, backfill, final grading, seed or sod, grounding, labor, equipment, supervision, and miscellaneous items required for a complete and operational enclosure.

| | | |
|--|------------------|-------------------|
| CITY OF COLUMBUS DEPT. OF PUBLIC UTILITIES – DIVISION OF POWER NON-METALLIC SERVICE PEDESTAL | | |
| DRAWN BY: AEC | DATE: 01/01/2018 | TDMIS-1402 |
| APPROVED: R. SPRITE | | |
| | SHEET 1 of 3 | |

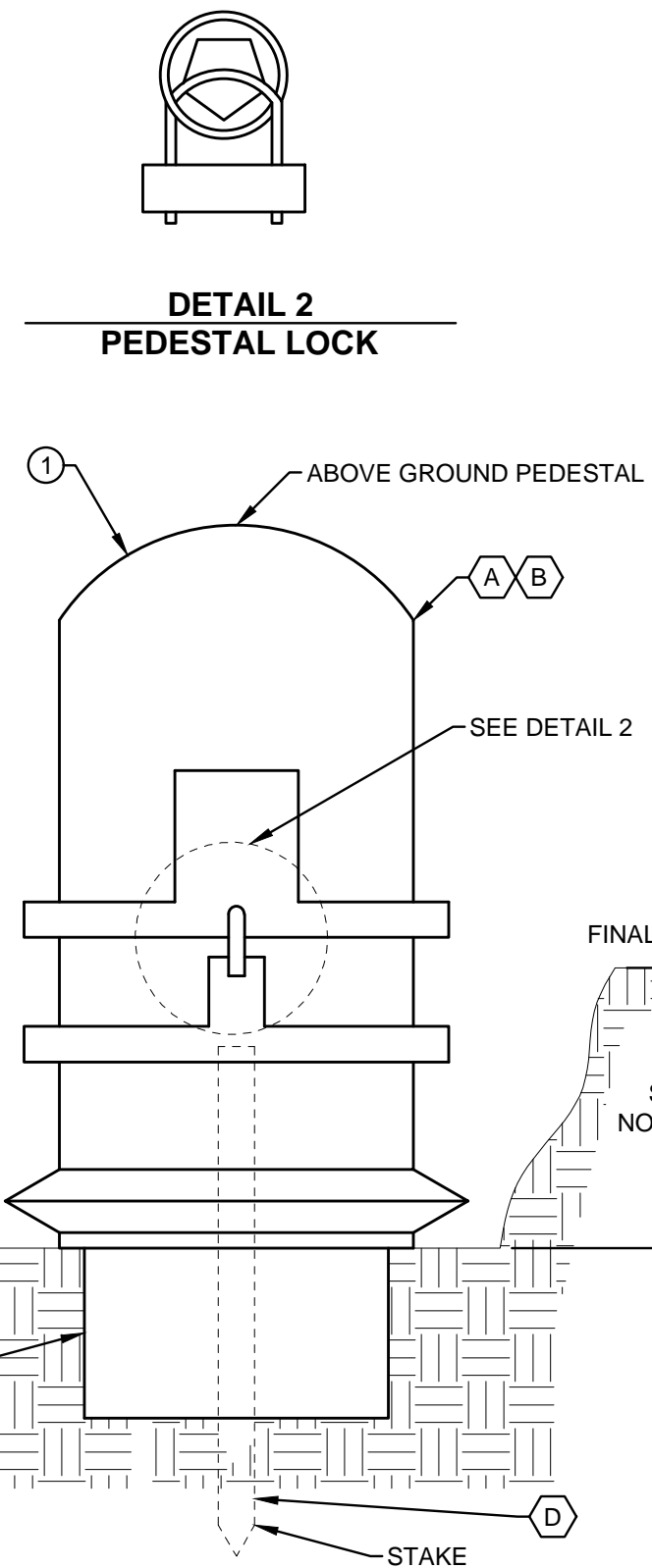
V. Basis of payment

| Items | Unit | Description |
|------------|------|-------------------------------|
| TDMIS-1402 | Each | Non-metallic service pedestal |

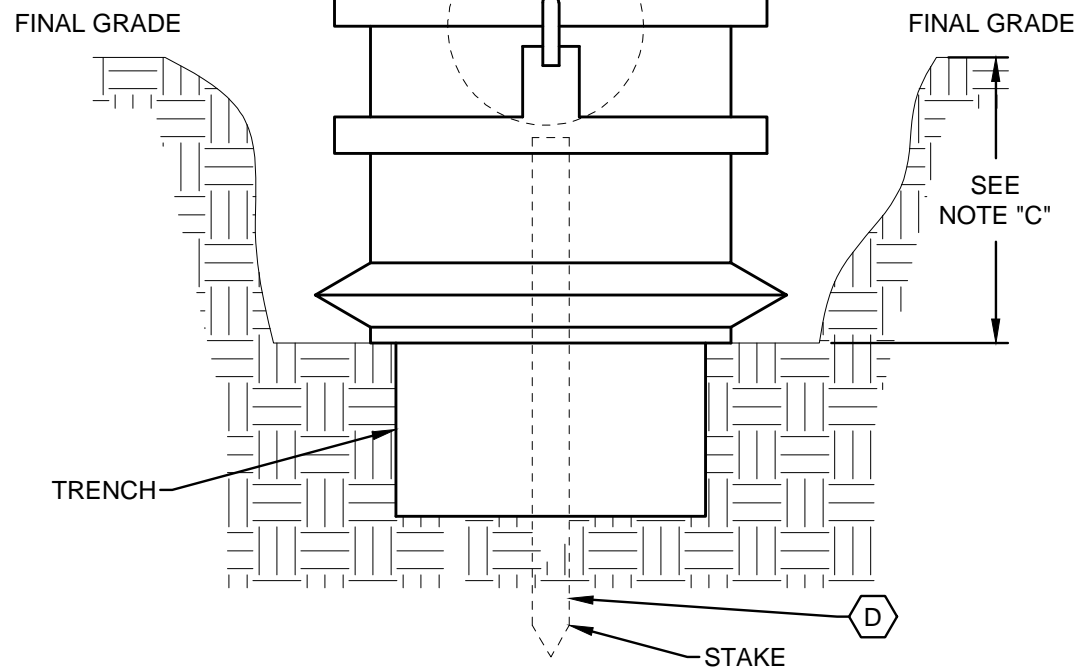
| | | |
|--|------------------|------------|
| CITY OF COLUMBUS DEPT. OF PUBLIC UTILITIES – DIVISION OF POWER NON-METALLIC SERVICE PEDESTAL | | |
| DRAWN BY: AEC | DATE: 01/01/2018 | TDMIS-1402 |
| APPROVED: R. SPRITE | | |
| | SHEET 2 of 3 | |



**DETAIL 1
NON-METALLIC SERVICE PEDESTAL**



**DETAIL 2
PEDESTAL LOCK**



**DETAIL 3
ELEVATION VIEW**

CODED NOTES:

- (A) EITHER THE HUB TERMINAL CONNECTION OR SET SCREW TERMINAL CONNECTION MAY BE USED FOR SECONDARY CABLE CONNECTIONS.
- (B) PEDESTAL NOT FOR JOINT USE INSTALLATIONS.
- (C) INSTALL TO THE DEPTH INDICATED ON THE PEDESTAL.
- (D) STAKE TO BE USED WHEN PEDESTAL REQUIRES ADDITIONAL SUPPORT.
- (E) ALTERNATIVE OPENINGS FOR A TEMPORARY SERVICE OR AN ABOVE GRADE SERVICE RESTORATION OF AN EXISTING UNDERGROUND SERVICE INSTALLATION. THIS TYPE OF SERVICE INSTALLATION IS TO BE ACCOMPLISHED PER NESC RULE 230A2(D)
- (F) OPENING HAS INTERNAL SLIDING DOOR.
- (G) TURN LID 180 DEGREES TO ACCESS OPENINGS.
- (H) THE USE OF CORRUGATED CONDUIT IS ACCEPTABLE AND TO BE SPECIFIED BY ENGINEER.

ITEM LIST

| ITEM # | DESCRIPTION | PART # | QTY. |
|--------|------------------------------|--------|------|
| ① | NON-METAL SERVICE PEDESTAL | 50062 | 1 |
| ② | SECONDARY TERMINAL CONNECTOR | * | 3 |

CITY OF COLUMBUS, OHIO
DEPT. OF PUBLIC UTILITIES - DIVISION OF POWER

NON-METALLIC SERVICE PEDESTAL

DRAWN BY: AEC DATE: 01/01/2018

APPROVED: R. SPRITE

SCALE: NTS SHEET: 3 OF 3

TDMIS-1402