

**Transmission & Distribution
Material & Installation Specification**

Deadend Assemblies

I. Quantity

The base bid shall include the indicated quantities of primary and neutral deadend assemblies of the type furnished and installed as hereinafter specified.

II. Material

A. The material and assembly components shall be as shown and scheduled on drawings TDMIS-406 or engineer approved equals.

III. Installation

A. Dead end assemblies shall be installed at locations indicated on project drawings as appropriate for phase and / or neutral conductors. Eye nuts shall have no less than 5 bolt threads showing inside eye after installation. Strain clamps shall be torqued per manufacturers recommendations.

IV. Method of measurement

Shall be for a complete and functional assembly and shall be included with various modules as shown or required for that module.
When the deadend assembly is added to an existing structure it shall be a single assembly module. Measurement shall include all components shown or required for a complete and operating module including designated parts, labor, equipment, tools and shall include conductor tensioning and guy pulling to leave conductors at initial sag and energized.

V. Basis of payment

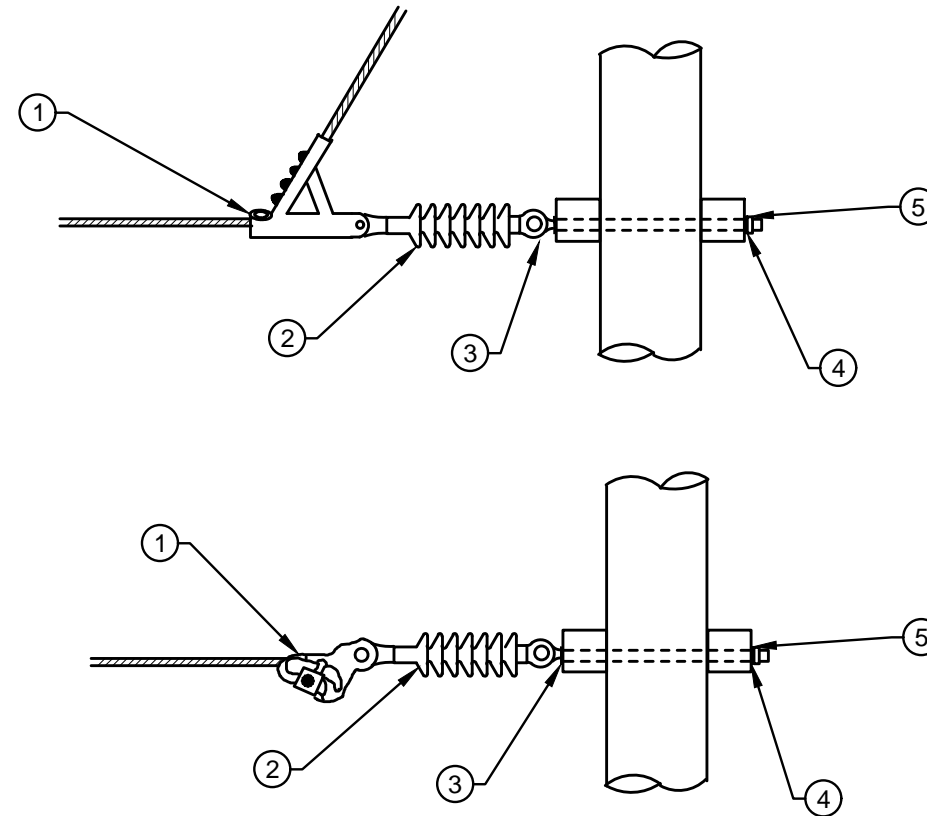
Shall be included with various modules that show or require dead end assemblies. When added to an existing structure, shall be:

Items	Unit	Description
TDMIS-406	Each	Complete deadend assembly

CITY OF COLUMBUS DEPT. OF PUBLIC UTILITIES – DIVISION OF POWER DEADEND ASSEMBLY		
DRAWN BY: AEC	DATE: 01/01/2018	TDMIS-406
APPROVED: R. SPRITE		
SHEET 1 of 4		

CODED NOTES:

A FOR VERTICAL CONSTRUCTION, ANCHOR SHACKLE AND EXTENSION LINK REQUIRED ON LOWER PHASE TO PROVIDE CLIMBING CLEARANCE



DETAIL 1
CONDUCTOR POLE, DEADEND, CROSSARM

SCHEDULE

ITEM #	SUFFIX NO.	DESCRIPTION	PART #	COMMENTS
1	1	#6 THRU #4/0 COPPER OR ALUMINUM	20333	BABY SHOE
1	2	#2/0 THRU 336 ACSR ALUMINUM ONLY	20334	
1	3	#2 THRU #4/0 COPPER OR ALUMINUM	20335	STRAIGHT LINE DEADEND
1	4	#336 THRU 556 ACSR ALUMINUM ONLY	20217	USED FOR 336 ACSR ONLY
1	5	#6 THRU #2 COPPER	53636	STRAIGHT LINE DEADEND
1	6	#556 THRU 795 ACSR ALUMINUM ONLY	20336	

ITEM LIST

ITEM #	DESCRIPTION	PART #	QTY.
①	CLAMP, STRAIN, CLEVIS (AS REQUIRED)	SEE SCH	1
②	INSULATOR, DEADEND, POLYMER, 15KV, GRAY	20243	1
③	NUT, OVAL EYE 5/8" - 11 UNC	18977	1
④	WASHER, SQUARE FLAT, 2 1/4"X2 1/4"X3/16", 11/16" DIA. HOLE	18901	1
⑤	WASHER, SPRING LOCK, 11/16" DIA. HOLE, DOUBLE COIL	18895	1

CITY OF COLUMBUS, OHIO
DEPT. OF PUBLIC UTILITIES - DIVISION OF POWER

**MODULE, CONDUCTOR POLE,
DEADEND
MCPDE**

DRAWN BY: AEC DATE: 01/01/2018

APPROVED: R. SPRITE

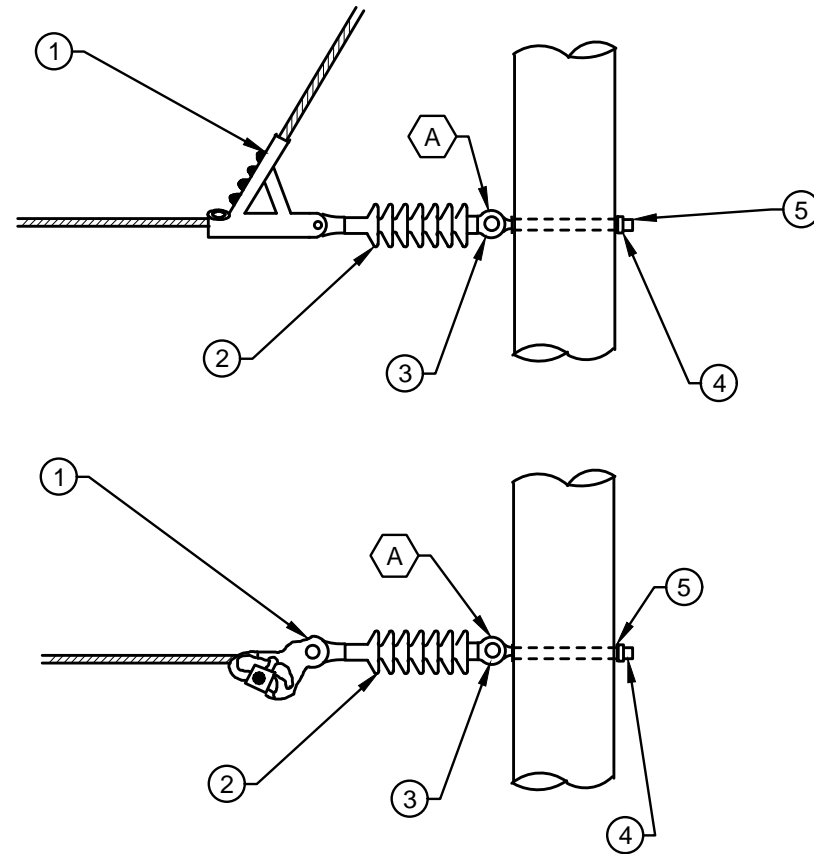
SCALE: NTS

SHEET: 2 OF 4

TDMIS-406

CODED NOTES:

A FOR VERTICAL CONSTRUCTION, ANCHOR SHACKLE AND EXTENSION LINK REQUIRED ON LOWER PHASE TO PROVIDE CLIMBING CLEARANCE



DETAIL 2
CONDUCTOR POLE, DEADEND, POLE

SCHEDULE

ITEM #	SUFFIX NO.	DESCRIPTION	PART #	COMMENTS
1	1	#6 THRU #4/0 COPPER OR ALUMINUM	20333	BABY SHOE
1	2	#2/0 THRU 336 ACSR ALUMINUM ONLY	20334	
1	3	#2 THRU #4/0 COPPER OR ALUMINUM	20335	STRAIGHT LINE DEADEND
1	4	#336 THRU 556 ACSR ALUMINUM ONLY	20217	USED FOR 336 ACSR ONLY
1	5	#6 THRU #2 COPPER	53636	STRAIGHT LINE DEADEND
1	6	#556 THRU 795 ACSR ALUMINUM ONLY	20336	

ITEM LIST

ITEM #	DESCRIPTION	PART #	QTY.
①	CLAMP, STRAIN, CLEVIS (AS REQUIRED)	SEE SCH	1
②	INSULATOR, DEADEND, POLYMER, 15KV, GRAY	20243	1
③	NUT, OVAL EYE 5/8" - 11 UNC	18977	1
④	WASHER, SQUARE CURVED, 3"X3"X3/16", 11/16" DIA. HOLE	18903	1
⑤	WASHER, SPRING LOCK, 11/16" DIA. HOLE, DOUBLE COIL	18895	1

CITY OF COLUMBUS, OHIO
DEPT. OF PUBLIC UTILITIES - DIVISION OF POWER

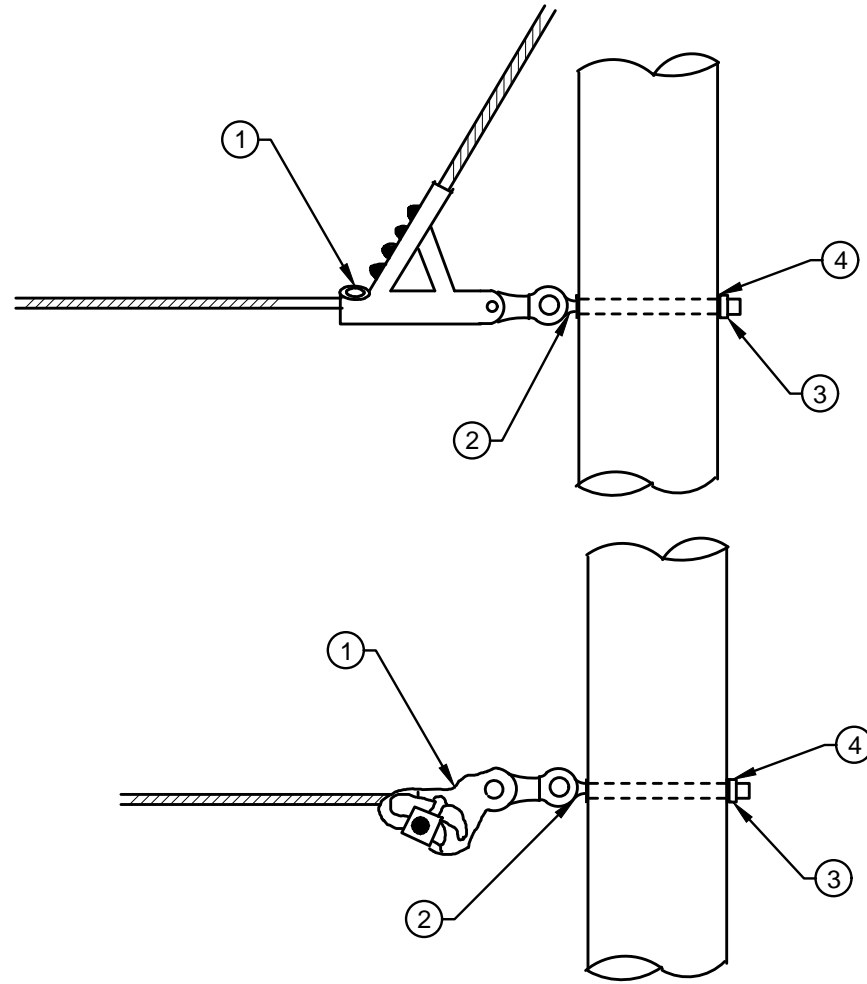
**MODULE, CONDUCTOR POLE,
DEADEND
MCPDE**

DRAWN BY: AEC DATE: 01/01/2018

APPROVED: R. SPRITE

SCALE: NTS SHEET: 3 OF 4

TDMIS-406



DETAIL 3
NEUTRAL CONDUCTOR POLE, DEADEND

SCHEDULE

ITEM #	SUFFIX NO.	DESCRIPTION	PART #	COMMENTS
1	1	#6 THRU #4/0 COPPER OR ALUMINUM	20333	BABY SHOE
1	2	#2/0 THRU 336 ACSR ALUMINUM ONLY	20334	
1	3	#2 THRU #4/0 COPPER OR ALUMINUM	20335	STRAIGHT LINE DEADEND
1	4	#336 THRU 556 ACSR ALUMINUM ONLY	20217	USED FOR 336 ACSR ONLY
1	5	#6 THRU #2 COPPER	53636	STRAIGHT LINE DEADEND
1	6	#556 THRU 795 ACSR ALUMINUM ONLY	20336	

ITEM LIST

ITEM #	DESCRIPTION	PART #	QTY.
①	CLAMP, STRAIN, CLEVIS (AS REQUIRED)	SEE SCH	1
②	BOLT, OVAL EYE 5/8"X12"	18956	1
③	WASHER, SQUARE CURVED, 3"X3"X3/16", 11/16" DIA. HOLE	18903	1
④	WASHER, SPRING LOCK, 11/16" DIA. HOLE, DOUBLE COIL	18895	1

CITY OF COLUMBUS, OHIO
DEPT. OF PUBLIC UTILITIES - DIVISION OF POWER

**MODULE NEUTRAL CONDUCTOR POLE
DEADEND
MNCPDE**

DRAWN BY: AEC	DATE: 01/01/2018
APPROVED: R. SPRITE	
SCALE: NTS	SHEET: 4 OF 4

TDMIS-406