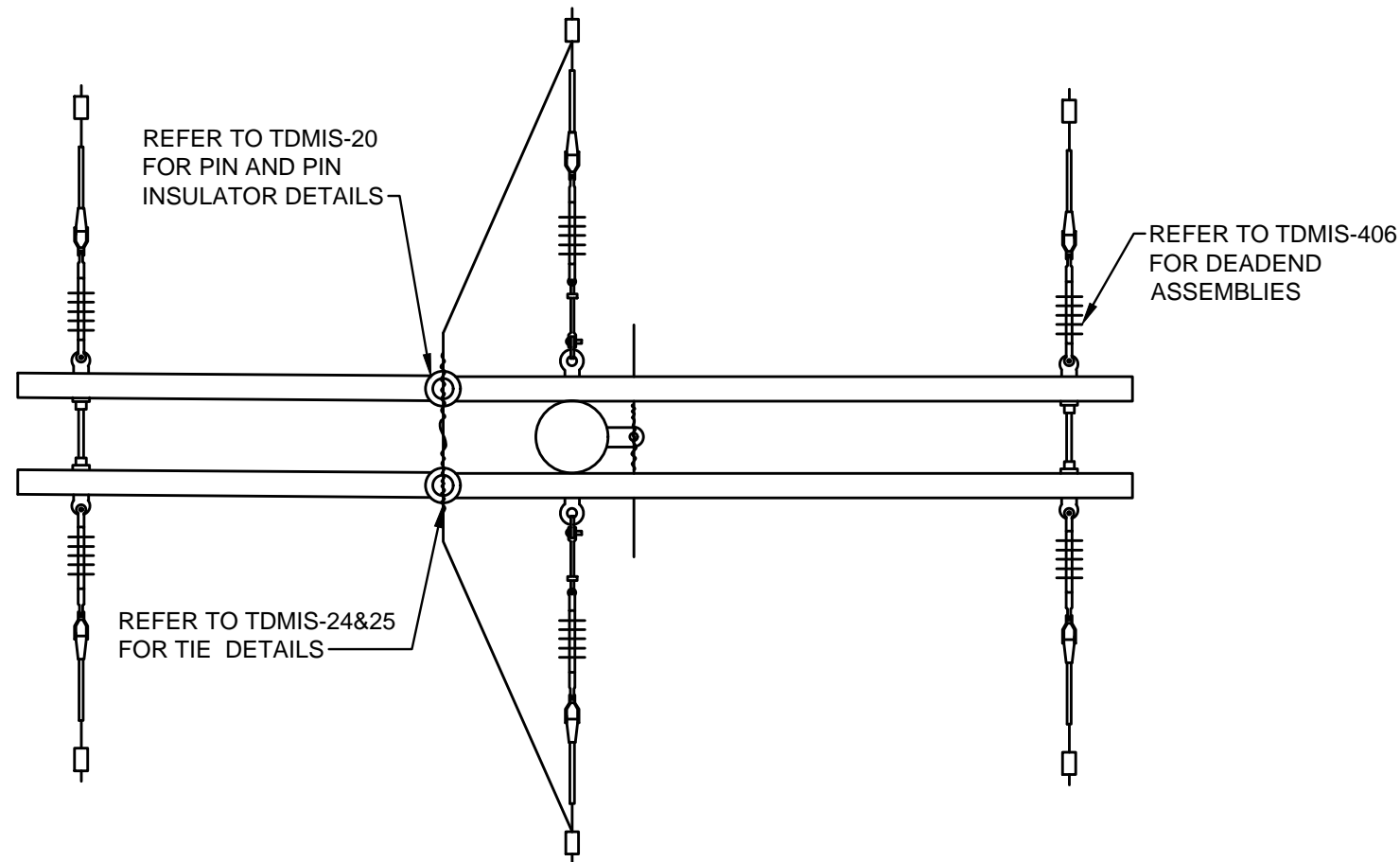
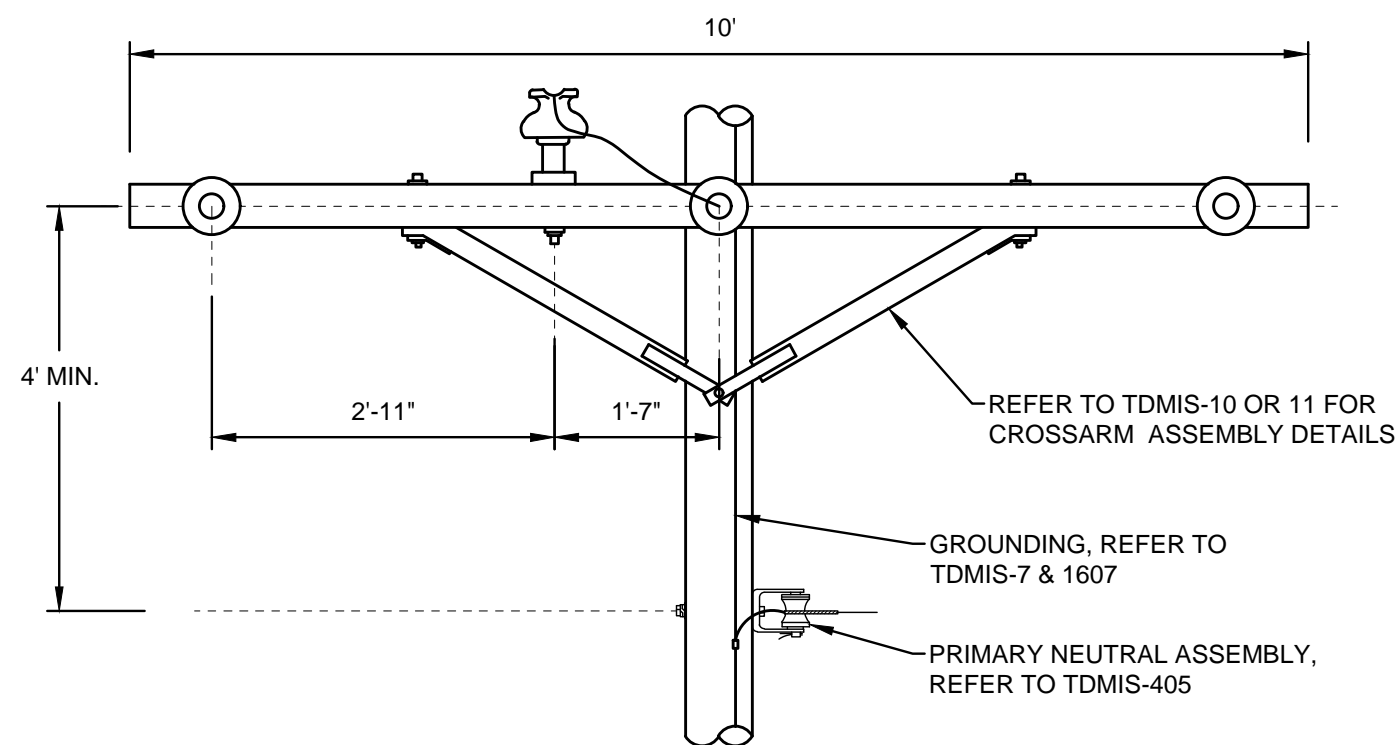


GENERAL NOTES:

1. THE CITY WILL PAY FOR ALL WORK INSTALLED AS SPECIFIED IN THIS DRAWING ACCORDING TO THE APPROPRIATE CONTRACT ITEMS FOR EACH COMPONENT OF THE WORK.



**DETAIL 1
PLAN VIEW**



**DETAIL 2
DOUBLE DEADEND, THREE PHASE**

REFERENCE LIST	
TDMIS	DESCRIPTION
1	WOOD POLES
7	OVERHEAD DISTRIBUTION CIRCUIT GROUNDING
10	WOOD CROSSARM - WOOD BRACES
11	WOOD CROSSARM - STEEL BRACES
20	PIN AND PIN INSULATOR
24	COPPER CONDUCTOR HAND-MADE INSULATOR TIES
25	ALUMINUM CONDUCTOR HAND-MADE INSULATOR TIES
405	PRIMARY NEUTRAL ASSEMBLY
406	DEADEND ASSEMBLIES
1607	GROUND ROD TEST

CITY OF COLUMBUS, OHIO
DEPT. OF PUBLIC UTILITIES - DIVISION OF POWER

**DOUBLE DEADEND
THREE PHASE CONSTRUCTION**

DRAWN BY: AEC	DATE: 01/01/2018
APPROVED: R. SPRITE	
SCALE: NTS	SHEET: 1 OF 1

TDMIS-407

THIS DRAWING IS FOR REFERENCE ONLY