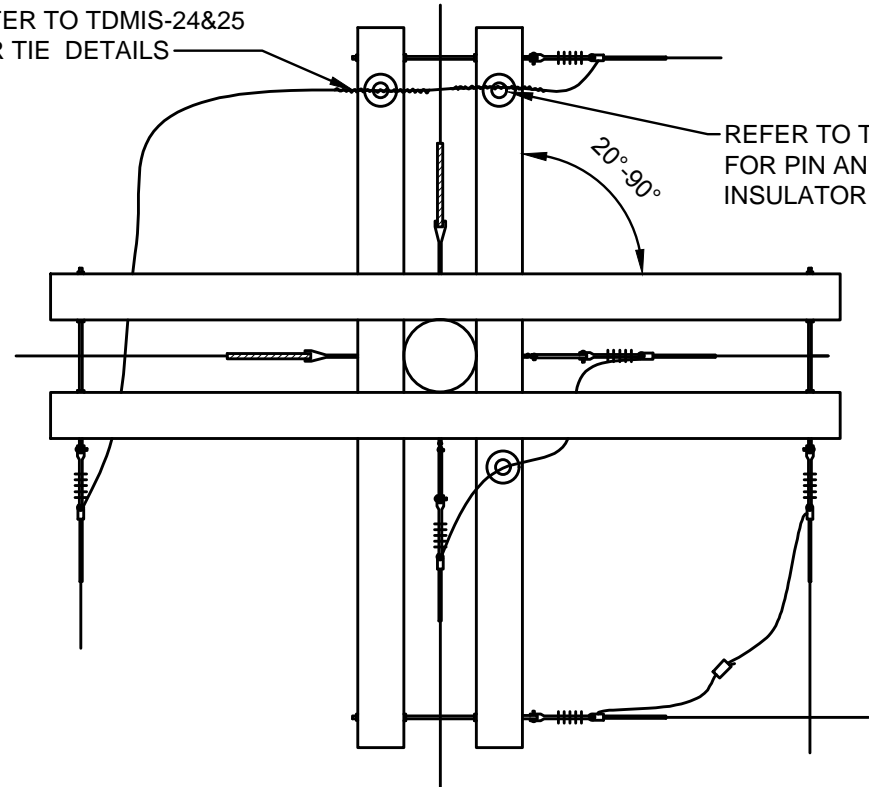


REFER TO TDMIS-24&25
FOR TIE DETAILS

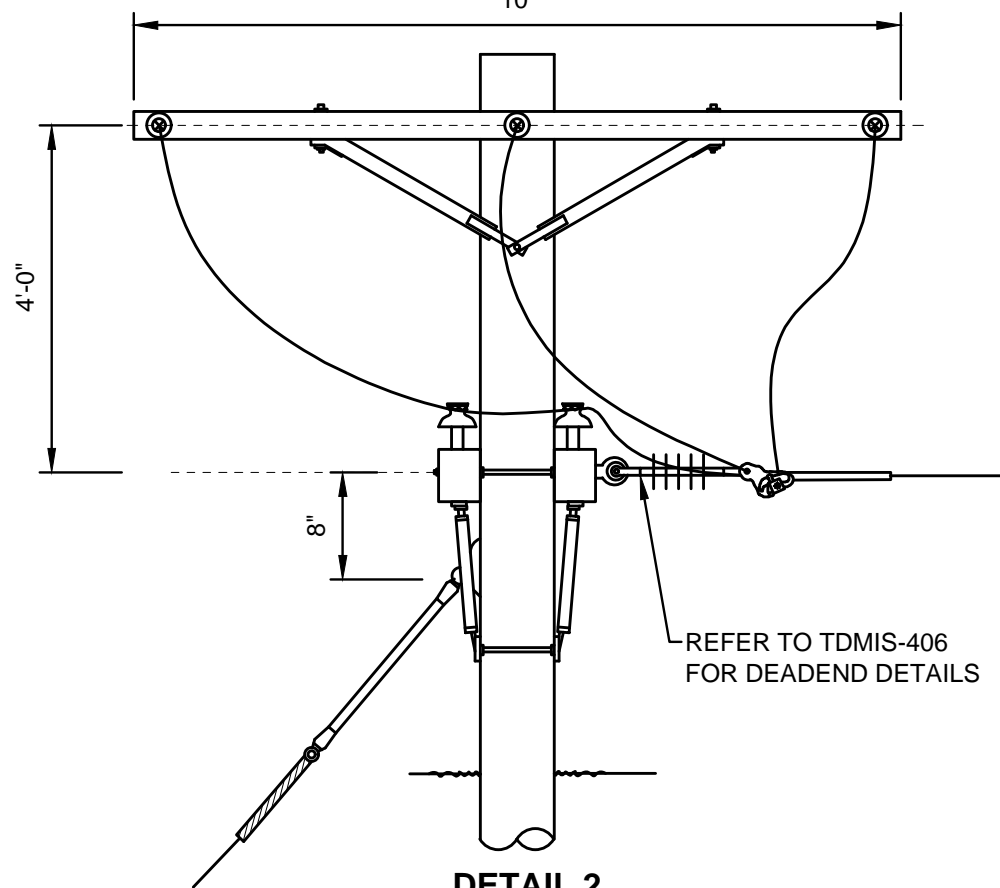
REFER TO TDMIS-20
FOR PIN AND PIN
INSULATOR DETAILS

20°-90°



**DETAIL 1
PLAN VIEW**

10'



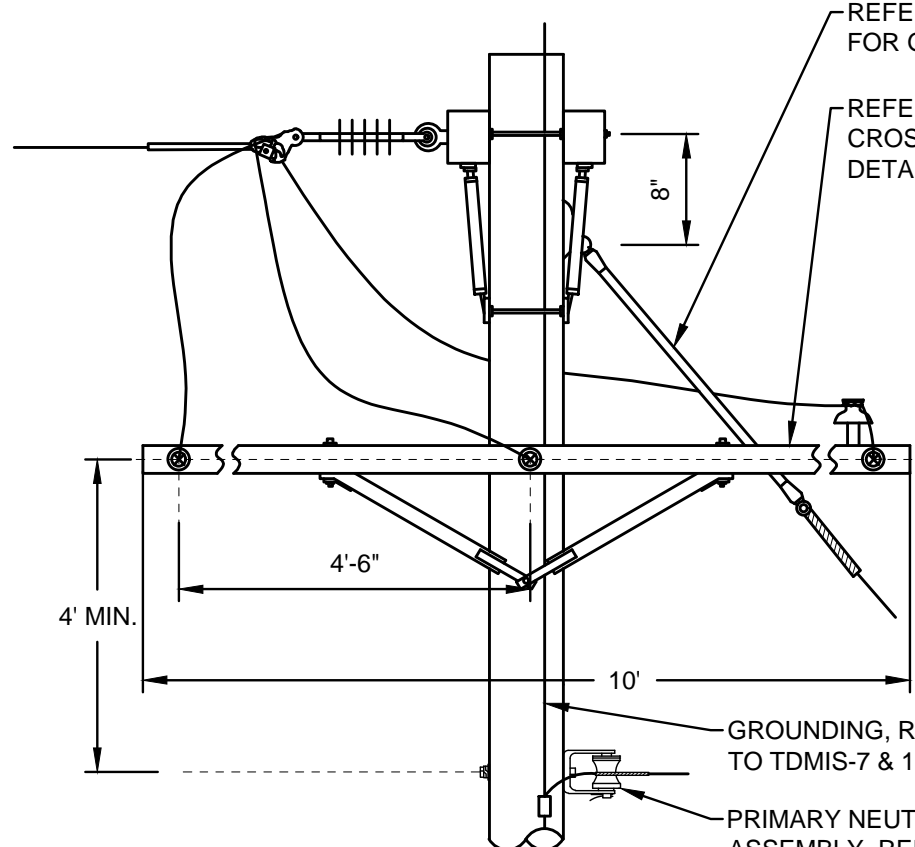
**DETAIL 2
FRONT VIEW**

8"

REFER TO TDMIS-406
FOR DEADEND DETAILS

REFER TO TDMIS-100
FOR GUYING DETAILS

REFER TO TDMIS-10 FOR
CROSSARM ASSEMBLY
DETAILS



**DETAIL 3
SIDE VIEW**

4' MIN.

4'-6"

8"

GROUNDING, REFER
TO TDMIS-7 & 1607

PRIMARY NEUTRAL
ASSEMBLY, REFER
TO TDMIS-405

GENERAL NOTES:

1. THE CITY WILL PAY FOR ALL WORK INSTALLED AS SPECIFIED IN THIS DRAWING ACCORDING TO THE APPROPRIATE CONTRACT ITEMS FOR EACH COMPONENT OF THE WORK.

REFERENCE LIST

TDMIS	DESCRIPTION
1	WOOD POLES
7	OVERHEAD DISTRIBUTION CIRCUIT GROUNDING
10	WOOD CROSSARM - WOOD BRACES
11	WOOD CROSSARM - STEEL BRACES
20	PIN AND PIN INSULATOR
24	COPPER CONDUCTOR HAND-MADE INSULATOR TIES
25	ALUMINUM CONDUCTOR HAND-MADE INSULATOR TIES
100	SINGLE DOWN GUY & ANCHOR WITH INSULATOR
405	PRIMARY NEUTRAL ASSEMBLY
406	DEADEND ASSEMBLIES
1607	GROUND ROD TEST

CITY OF COLUMBUS, OHIO
DEPT. OF PUBLIC UTILITIES - DIVISION OF POWER

**TWO WAY BUCK
THREE PHASE CONSTRUCTION, 20°-90°**

DRAWN BY: AEC DATE: 01/01/2018
APPROVED: R. SPRITE
SCALE: NTS SHEET: 1 OF 1

TDMIS-410

THIS DRAWING IS FOR REFERENCE ONLY