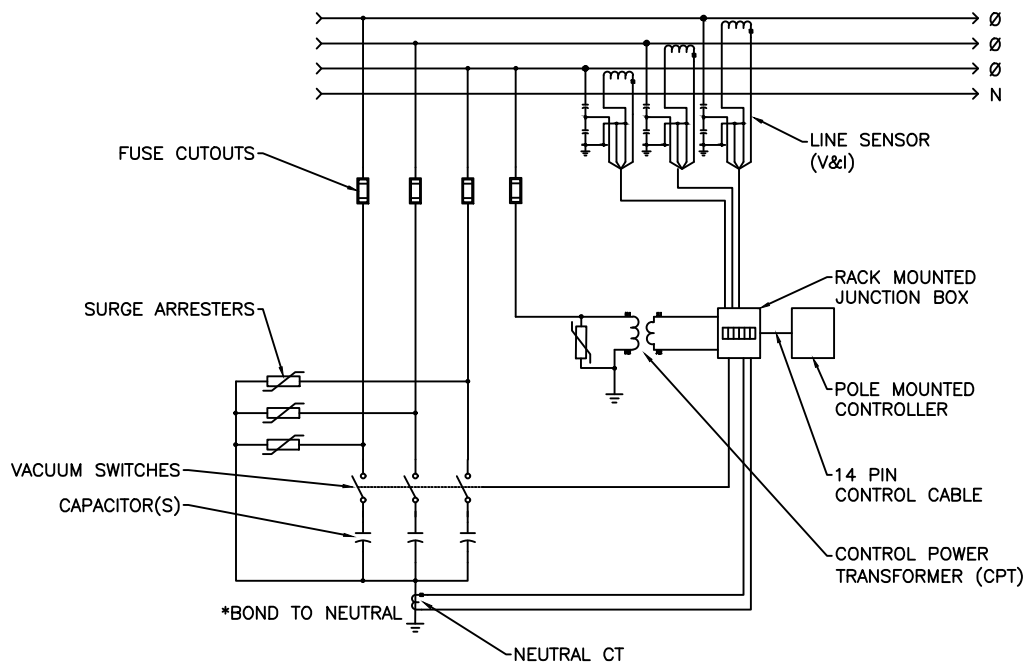
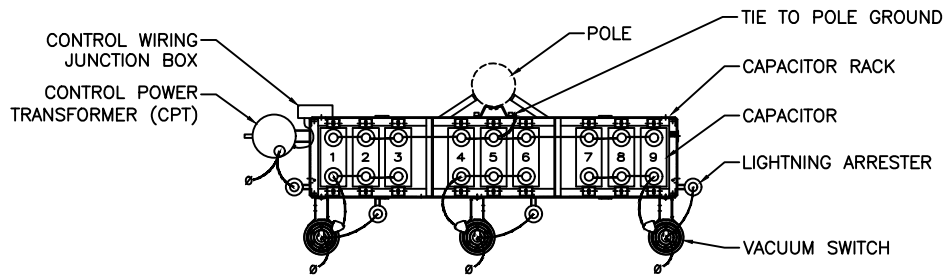


NOTES:  
 1. FOR INSTALLATIONS ON POLELINES WITH SPACER CABLE, INSTALL TDMIS-305 - SPACER-TO-SPACER DOUBLE DEADEND. INSTALL LPS IN LEIU OF POST INSULATORS FOR ALL THREE PHASES.



SCHEMATIC  
SWITCHED SOLIDLY-GROUNDED WYE CAPACITOR BANK



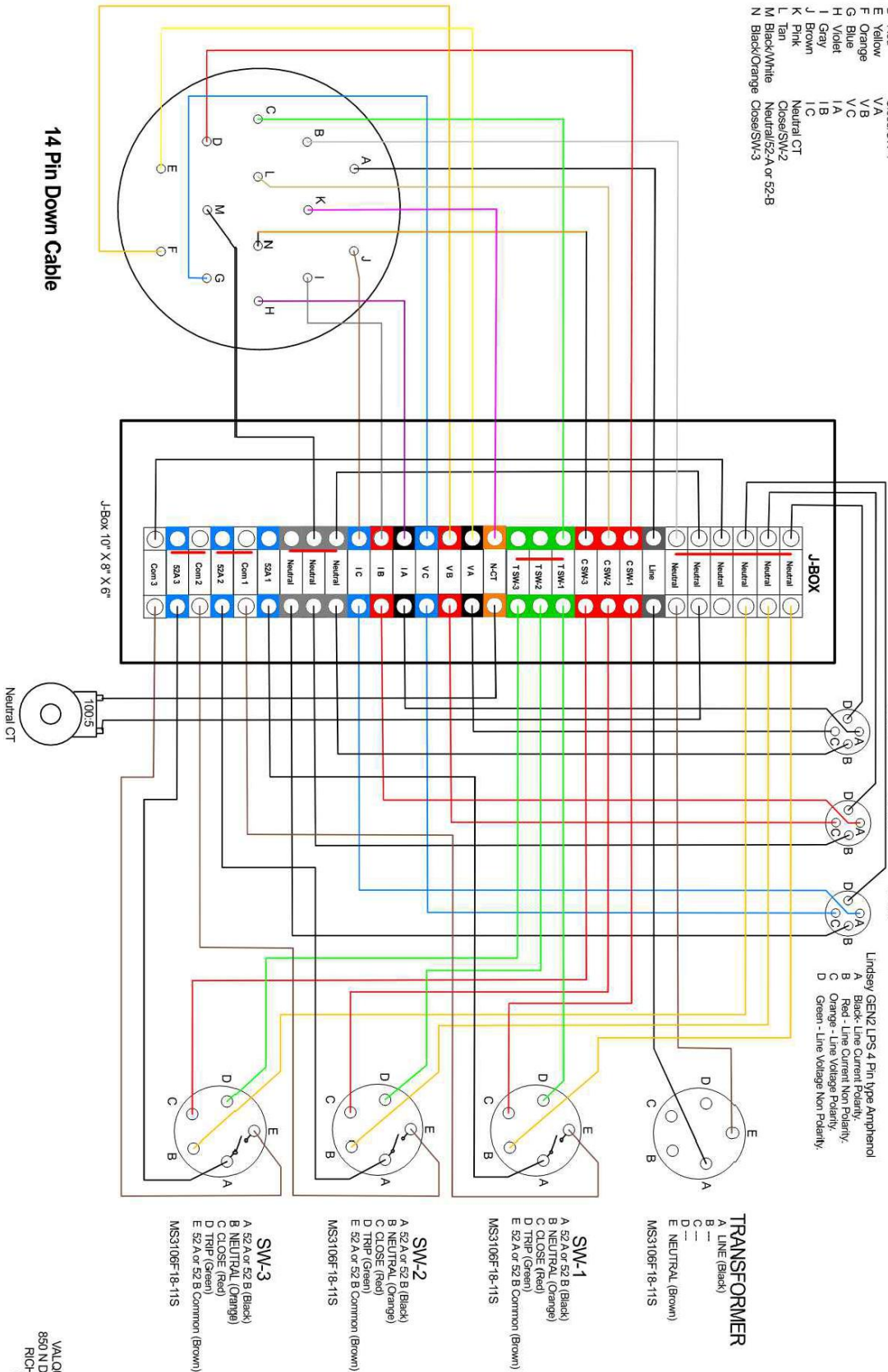
TDMIS ID	MATERIAL	QTY
LPS	LINE POST SENSOR	3
STC	STIRRUP AND HOT LINE CLAMP	3
C02L	CUTOUT, LOADBREAK, POLYMER, 200A, 15 kV	4
XA10	CROSSARM, WOODEN, 10'L, 3-3/4" X 4-1/2"	2
BCS32	BRACE, CROSSARM, STEEL, 32"L, 1-1/4" X 1/4"	4
WPC3X	WIRE, COPPER, WEATHERPROOF XLPE, 2 AWG, 7 STRAND (FEET)	40

# VALQUEST SYSTEMS, INC. CAPACITOR BANK WIRING DIAGRAM

07/29/2022

**14 Pin Down Cable**

A	Black	Line
B	White	Neutral
C	Green	Trip
D	Red	Close/SW-1
E	Yellow	V/A
F	Orange	V/B
G	Blue	V/C
H	Violet	I/A
I	Gray	I/B
J	Brown	I/C
K	Pink	Neutral CT
L	Tan	Close/SW-2
M	Black/White	Neutral/52-A or 52-B
N	Black/Orange	Close/SW-3



Lindsey GEN2 LPS-4 Pin type Amphenol  
 A - Black - Line Current Polarity  
 B - Red - Line Current Non Polarity  
 C - Orange - Line Voltage Polarity  
 D - Green - Line Voltage Non Polarity

**TRANSFORMER**

A - LINE (Black)  
 B - -  
 C - -  
 D - -  
 E - NEUTRAL (Brown)  
 MS3106F-18-11S

**SW-1**

A 52 A or 52 B (Black)  
 B NEUTRAL (Orange)  
 C CLOSE (Red)  
 D TRIP (Green)  
 E 52 A or 52 B Common (Brown)  
 MS3106F-18-11S

**SW-2**

A 52 A or 52 B (Black)  
 B NEUTRAL (Orange)  
 C CLOSE (Red)  
 D TRIP (Green)  
 E 52 A or 52 B Common (Brown)  
 MS3106F-18-11S

**SW-3**

A 52 A or 52 B (Black)  
 B NEUTRAL (Orange)  
 C CLOSE (Red)  
 D TRIP (Green)  
 E 52 A or 52 B Common (Brown)  
 MS3106F-18-11S

VALQUEST SYSTEMS, INC.  
 850 N DOROTHY DR SUITE 510  
 RICHARDSON, TX 75081  
 972-234-2954

THREE-PHASE SWITCHED CAPACITOR BANK  
 FOR 14.4 KV SOLIDLY-GROUNDED WYE SYSTEMS  
 FIGURE 4 - DETAIL WIRING DIAGRAM

TDMIS - 5131