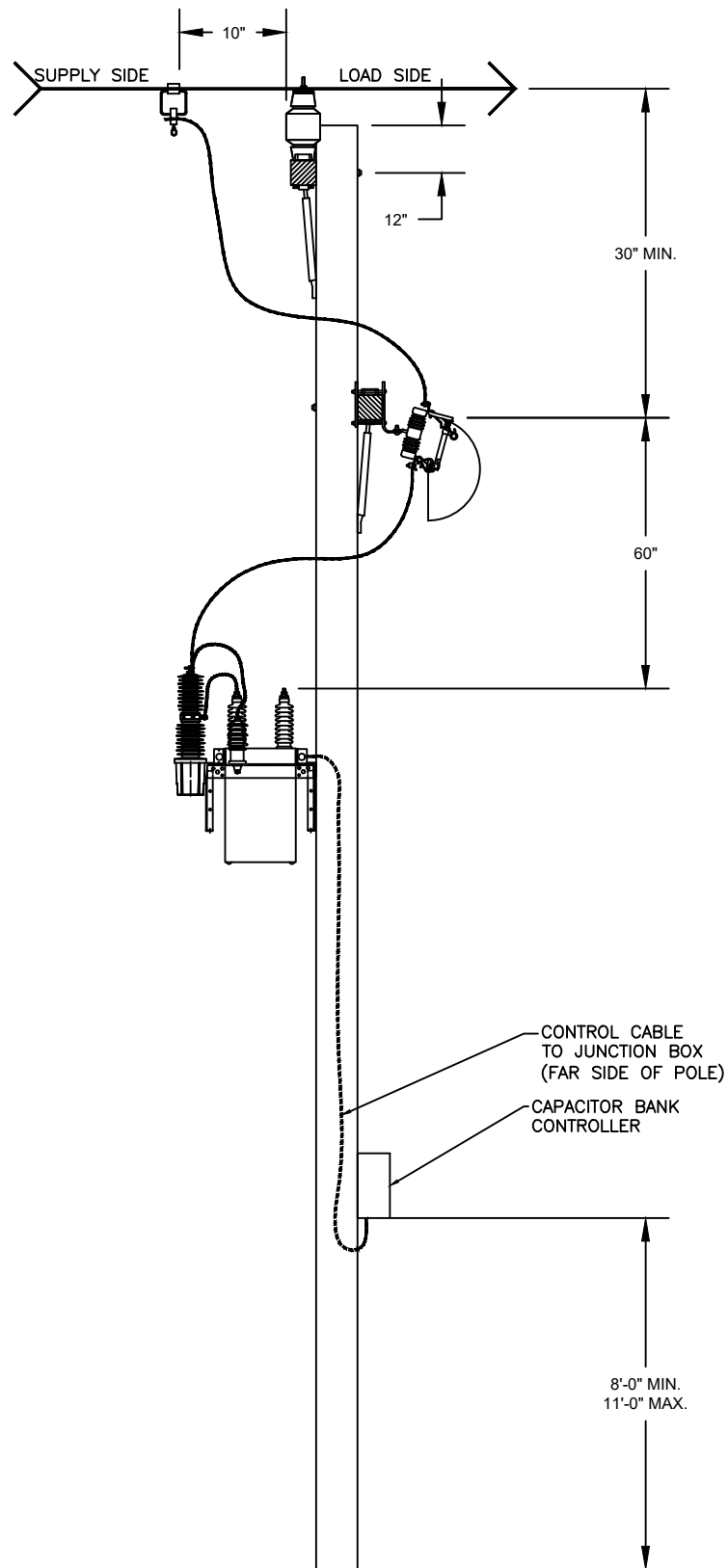


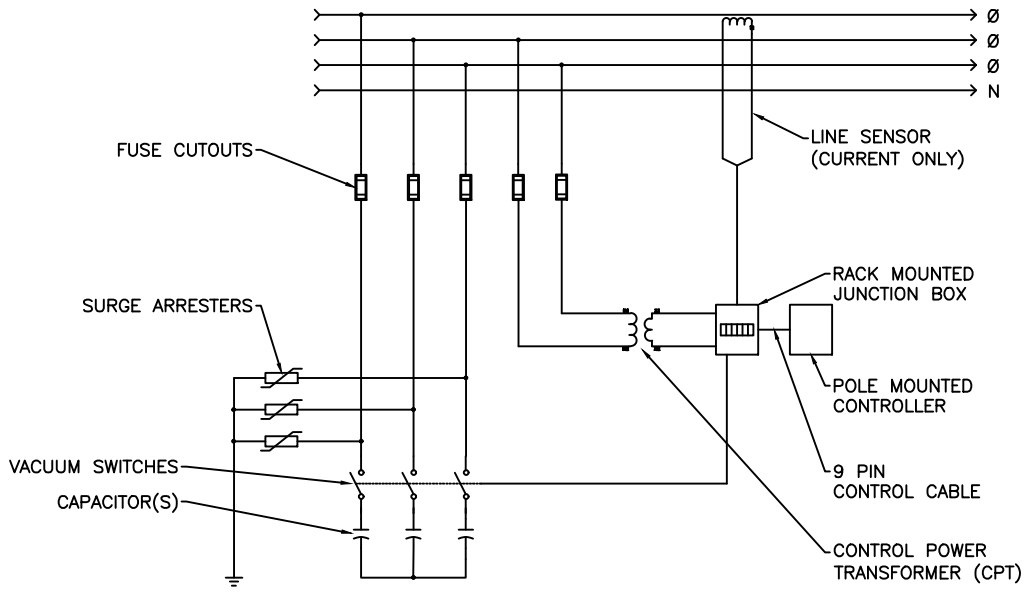
THREE-PHASE SWITCHED CAPACITOR BANK
 FOR 7.2 KV DELTA SYSTEMS
 FIGURE 1 - POLE FRONT VIEW

TDMIS- 5132

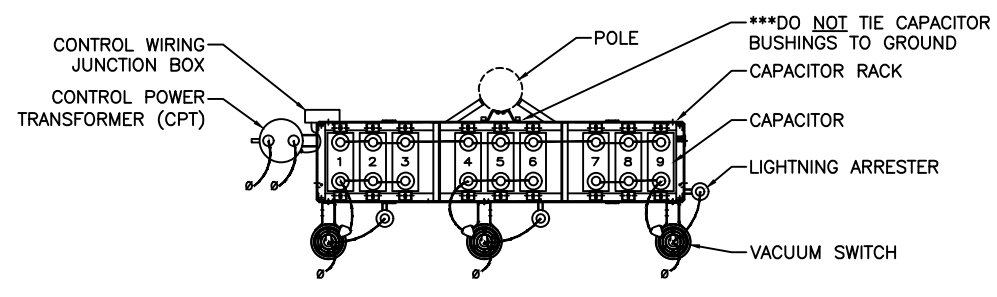


THREE-PHASE SWITCHED CAPACITOR BANK
 FOR 7.2 KV DELTA SYSTEMS
 FIGURE 2 – POLE SIDE VIEW

TDMIS – 5132



SCHEMATIC
SWITCHED UNGROUNDED WYE CAPACITOR BANK

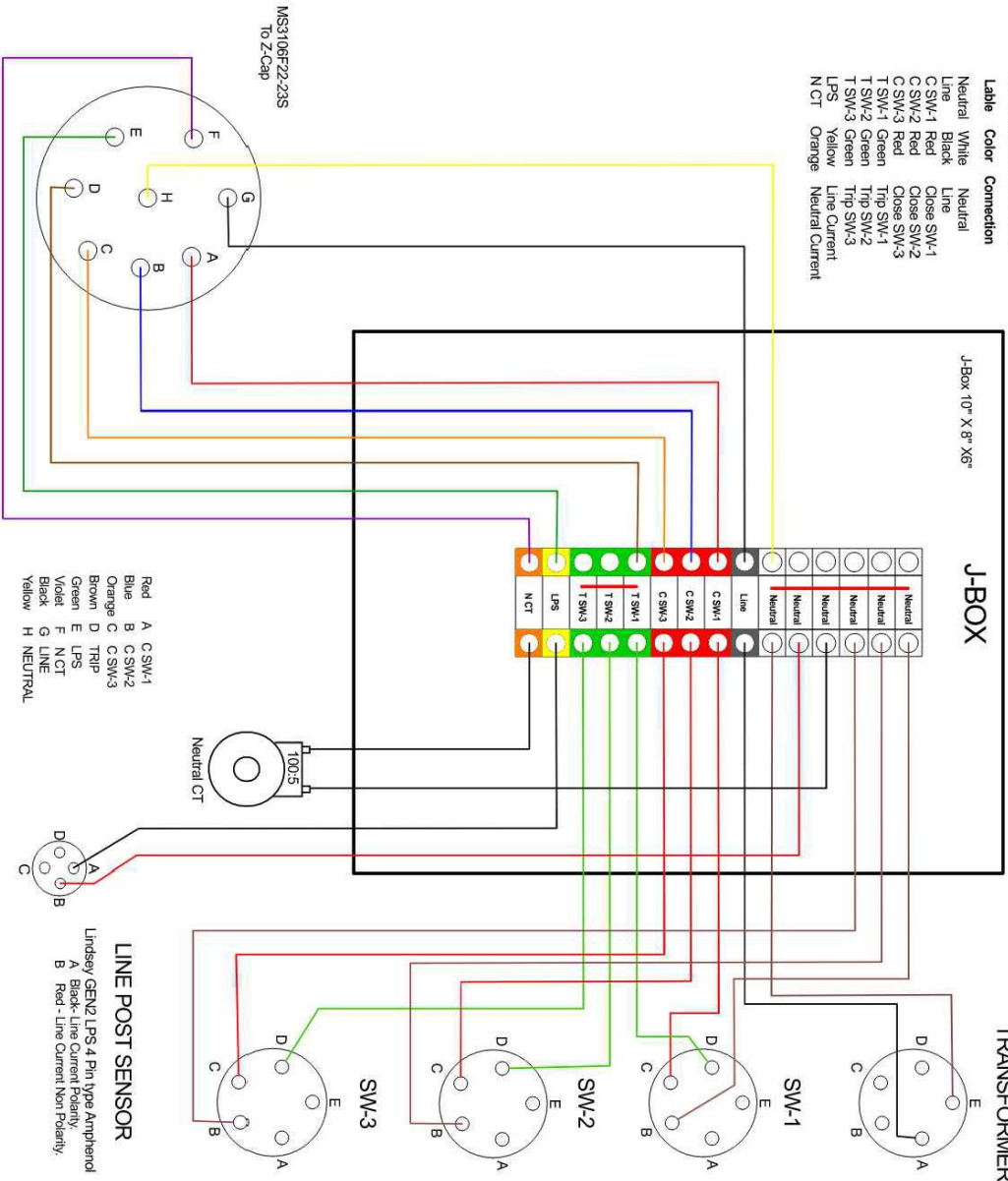


TDMIS ID	MATERIAL	QTY
LPS	LINE POST SENSOR	1
INS	PIN AND PIN INSULATOR	2
STC	STIRRUP AND HOT LINE CLAMP	3
C02L	CUTOUT, LOADBREAK, POLYMER, 200A, 15 kV	5
XA10	CROSSARM, WOODEN, 10'L, 3-3/4" X 4-1/2"	2
BCS32	BRACE, CROSSARM, STEEL, 32"L, 1-1/4" X 1/4"	4
WPC3X	WIRE, COPPER, WEATHERPROOF XLPE, 2 AWG, 7 STRAND (FEET)	40

VALQUEST SYSTEMS, INC. ZVC CAPACITOR BANK WIRING DIAGRAM

Terminal Block

Label	Color	Connection
Neutral	White	Neutral
Line	Black	Line
C SW-1	Red	Close SW-1
C SW-2	Red	Close SW-2
C SW-3	Red	Close SW-3
T SW-1	Green	Tripp SW-1
T SW-2	Green	Tripp SW-2
T SW-3	Green	Tripp SW-3
LPS	Yellow	Line Current
N CT	Orange	Neutral Current



TRANSFORMER

BLACK A LINE (L/Back)

B ---

D ---

BROWN E NEUTRAL (N/White)
MS3106F-18-11S

A ---

BROWN B NEUTRAL (N/White)

RED C CLOSE (I/Red)

GREEN D TRIP (I/ Green)

E ---

MS3106F-18-11S

A ---

BROWN B NEUTRAL (N/White)

RED C CLOSE (I/Red)

GREEN D TRIP (I/ Green)

E ---

MS3106F-18-11S

A ---

BROWN B NEUTRAL (N/White)

RED C CLOSE (I/Red)

GREEN D TRIP (I/ Green)

E ---

MS3106F-18-11S

LINE POST SENSOR

Lindsey GEN2 LPS #4 Pin type Amphenol

A Black- Line Current Polarity

B Red - Line Current Non Polarity

Red	A	C SW-1
Blue	B	C SW-2
Orange	C	C SW-3
Brown	D	TRIP
Green	E	LPS
Violet	F	N CT
Black	G	LINE
Yellow	H	NEUTRAL

VALQUEST SYSTEMS, INC.
890 N DOROTHY DR SUITE 910
RICHARDSON, TX 75081
972-234-2954

THREE-PHASE SWITCHED CAPACITOR BANK
FOR 7.2 KV DELTA SYSTEMS
FIGURE 4 - DETAIL WIRING DIAGRAM