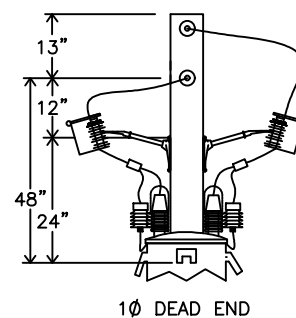
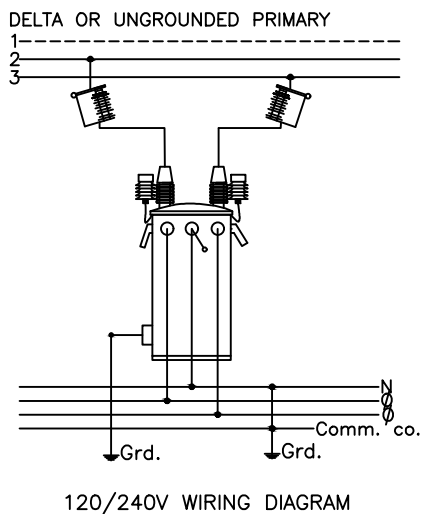


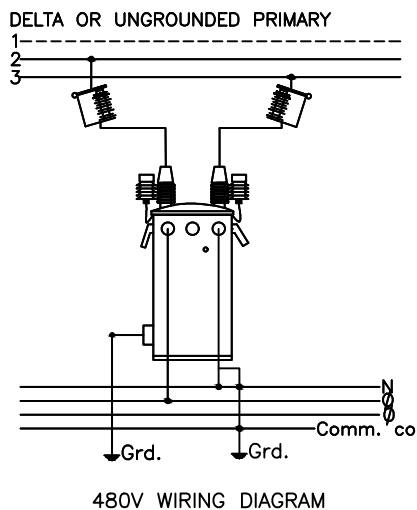
3Ø CROSSARM POLE TOP



1Ø DEAD END



120/240V WIRING DIAGRAM



480V WIRING DIAGRAM

SURGE ARRESTERS ARE GROUND THROUGH THE TRANSFORMER TANK GROUND AND ISOLATED FROM THE SECONDARY NEUTRAL GROUND BY REMOVING THE GROUNDING STRAP BETWEEN THE SECONDARY NEUTRAL BUSHING AND THE TANK.

COMPATIBLE UNIT: TDMIS-804.

TDMIS ID	MATERIAL	D	QTY	QTY	QTY	QTY
T10H	SINGLE-PHASE, OVERHEAD, POLE-MOUNTED TRANSFORMER (14400/23940Y OR 7200/12470Y V)		1			
BF13	BRACKET, FIBERGLASS, SINGLE-PHASE, 18", TRIPLE POSITION		2			
CO1L	CUTOUT, POLYMER, 100 AMP, LOADBREAK		2			
LA9	ARRESTER, SURGE, 9 KV, HEAVY DUTY		2			
CHLB1	CLAMP, HOTLINE, BRONZE, #8 TO 2/0 MAIN, #8 TO 1/0 TAP		2			
WPC2	WIRE, COPPER, BARE, 4 AWG, SOLID (FEET)		10			
HWP1	PROTECTOR, WILDLIFE, STANDARD		2			