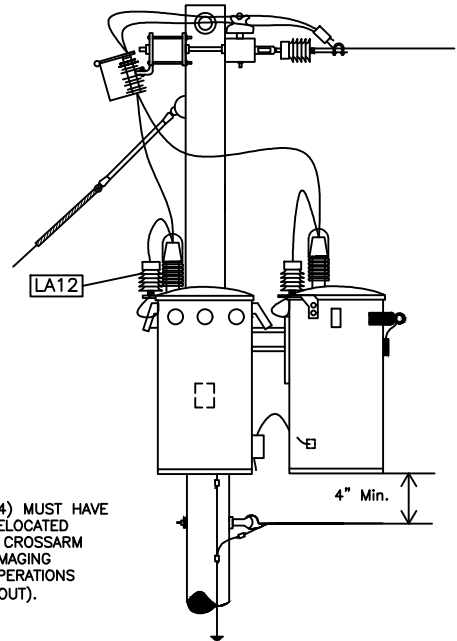
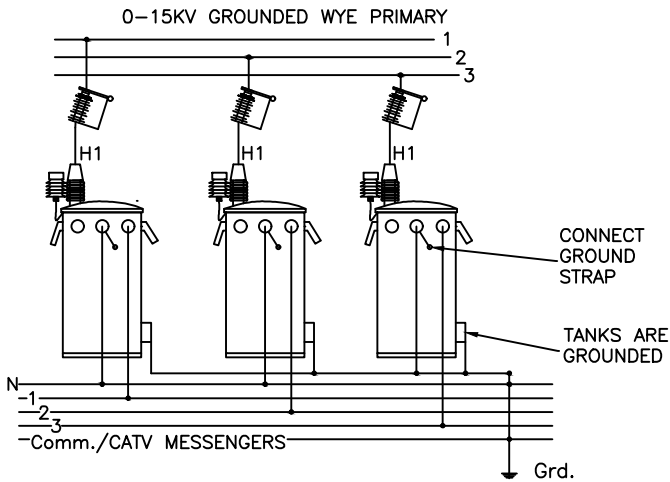


3 PHASE CROSSARM POLE TOP
FIGURE 1

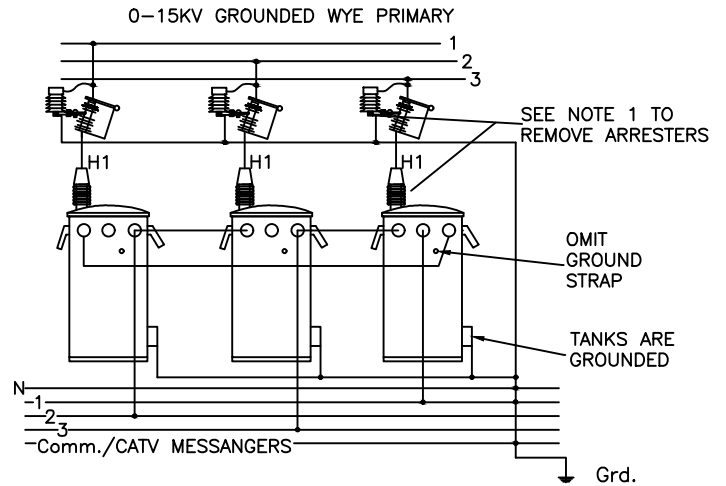


3 PHASE DEAD-END POLE TOP
FIGURE 2

NOTES:
① FLOATING WYE-DELTA INSTALLATIONS (FIGURE 4) MUST HAVE ARRESTERS REMOVED FROM THE TANK AND RELOCATED AHEAD OF THE CUTOUT ONTO A BRACKET OR CROSSARM FOR PROTECTION OF THE ARRESTER FROM DAMAGING OVERVOLTAGES INDUCED DURING SWITCHING OPERATIONS (OPENING/RE-CLOSING OF ITS ASSOCIATED CUTOUT).



480Y/277V or 208Y/120V
WIRING DIAGRAM FIGURE 3



240V
WIRING DIAGRAM FIGURE 4

COMPATIBLE UNIT: TDMIS-805.Y

TDMIS ID	MATERIAL	QTY	QTY	QTY	QTY
T10H	SINGLE-PHASE, OVERHEAD, POLE-MOUNTED TRANSFORMER (14400 GRD Y/8320V)	3			
BF33	BRACKET, FIBERGLASS, THREE-PHASE, 36", TRIPLE POSITION	1			
CO1L	CUTOUT, POLYMER, 100 AMP, LOADBREAK	3			
LA12	ARRESTER, SURGE, 12 KV, HEAVY DUTY	3			
CHLB1	CLAMP, HOTLINE, BRONZE, #8 TO 2/0 MAIN, #8 TO 1/0 TAP	3			
WPC2	WIRE, COPPER, BARE, 4 AWG, SOLID (FEET)	15			
HWP1	PROTECTOR, WILDLIFE, STANDARD	3			