

DECIDING ON AN AUXILIARY METER

Sewer charges are based on water consumption measured by meter readings and assumes that all water used is discharged to the city's sanitary sewer system. Only customers who use substantial amounts of water not entering the sanitary sewer system stand to save on their sewer bill by installing an auxiliary meter system. An example of a customer who may benefit is one who uses a high volume of water outside to water a lawn or extensive landscaping. The best way to determine if an auxiliary meter will benefit you is to compare your summer and winter water usage.

An auxiliary meter system must be purchased, installed and maintained by you or your contractor. Only specific meters will be approved for usage.

A \$2 service charge is added to scheduled bills for auxiliary meter customers to help offset the city's additional cost of reading and calculating the auxiliary meter.

Please note: if you have an irrigation system or plan to install one, you must contact the Division of Water Backflow Section in advance for further regulation information at 614-645-6674. An initial inspection by a City-of-Columbus-approved licensed contractor will be required, as well as future annual inspections, and there will be an annual backflow device fee added to your Columbus water bill.

INSPECTION AND APPROVAL OF AN AUXILIARY METER

After the auxiliary meter and endpoint are installed, you must call Customer Service at 614-645-8276 to schedule a final inspection for approval of the meter. This is necessary before a possible reduction in sewer charges can occur. The final inspection will verify proper installation of the meter, ability to read the endpoint from the street, and to set up the account to reflect the correct sewer charges.

If you have any questions, need more information on the equipment, proper installation, or wish to schedule an inspection of an auxiliary sewer meter, please call Customer Service at **614-645-8276**, weekdays from 7:00 a.m. to 6:00 p.m.

910 Dublin Road
Columbus, OH 43215
614-645-8276
columbus.gov/utilities



Auxiliary Metering Systems



THE CITY OF
COLUMBUS
ANDREW J. GINTHER, MAYOR

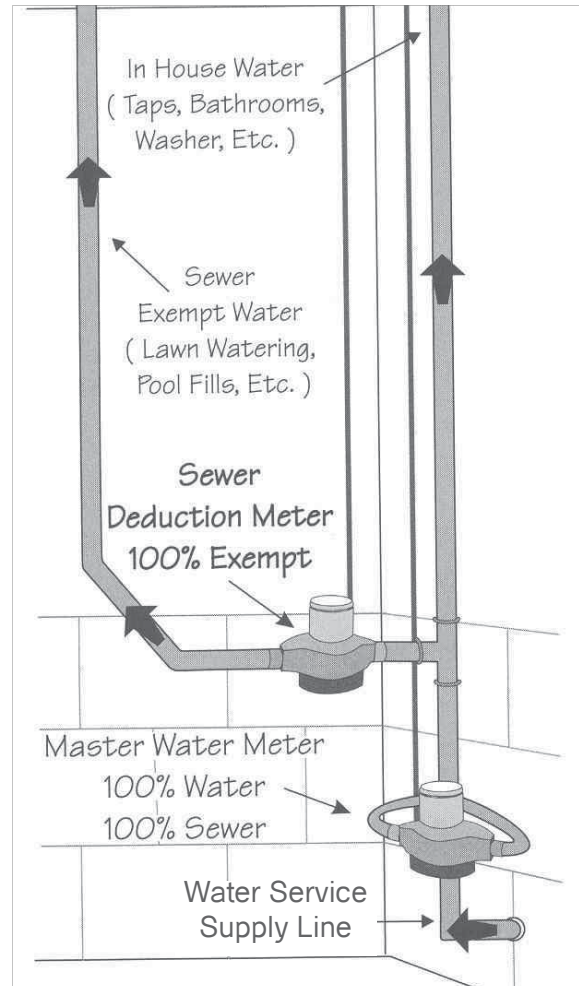
DEPARTMENT OF
PUBLIC UTILITIES

REQUIREMENTS FOR AUXILIARY METERS

The property owner is responsible for correctly installing and maintaining the auxiliary meter and endpoint. The installation *must* conform to current requirements by the Columbus Department of Public Utilities and the American Water Works Association. The auxiliary meter must be compatible with an Itron 100W+ (tower) or an Itron 100W-R+ (remote) Endpoint and measure in cubic feet. This is the *only* type of auxiliary meter approved for use in the City of Columbus and its contracted communities. These meters are available from most central Ohio plumbing supply dealers.

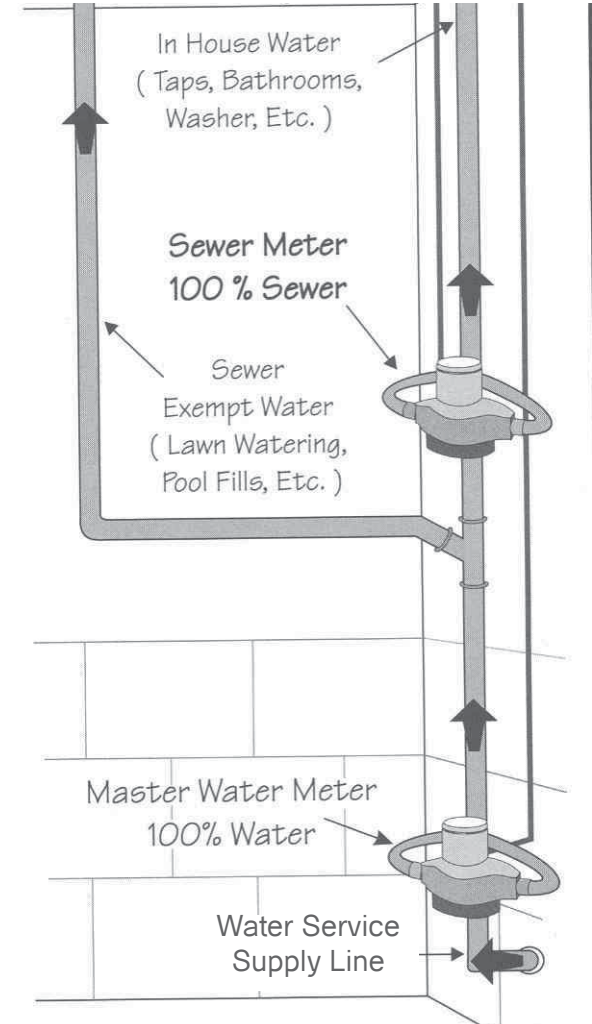
The auxiliary meter must be located downstream from the main water meter, but as near to it as possible. When installed, the face (reading dial) must be positioned straight up. It is required that the auxiliary meter be located at a height readable from the floor. The auxiliary meters are *not* permitted in crawl spaces.

“SEWER DEDUCTION” METER INSTALLATION

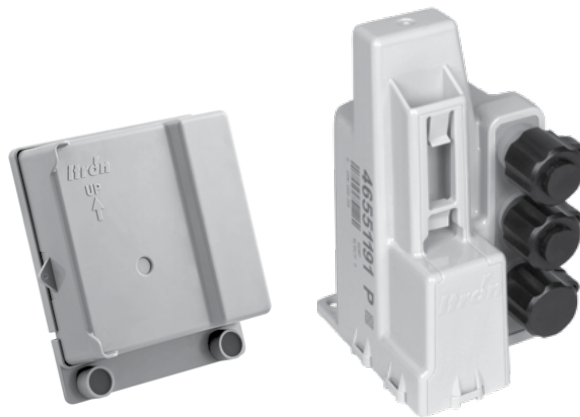


The Itron 100W-R+ (remote) Endpoint will need to be wired correctly by the installer using gel caps with the arrow stamped on the outer casing (of the remote) pointing up. The remote endpoint must be installed outside and be readable from the street. This is the *only* type of endpoint allowed on a home, building or hot box. The Itron 100W+ (tower) Endpoint will have a wire connection port,

“SEWER CHARGE” METER INSTALLATION



which must be installed with the small end (of the tower) pointing up. This endpoint is only allowed in a meter box or vault. The 100W+ endpoint (tower) must be mounted to the meter in a meter box. In a vault, the tower must be mounted as high as possible in the vault, but not in the access opening. An auxiliary meter installed in a meter box or vault must also have a composite lid installed.



100W-R+ Endpoint
(remote)

100W+ Endpoint
(tower)