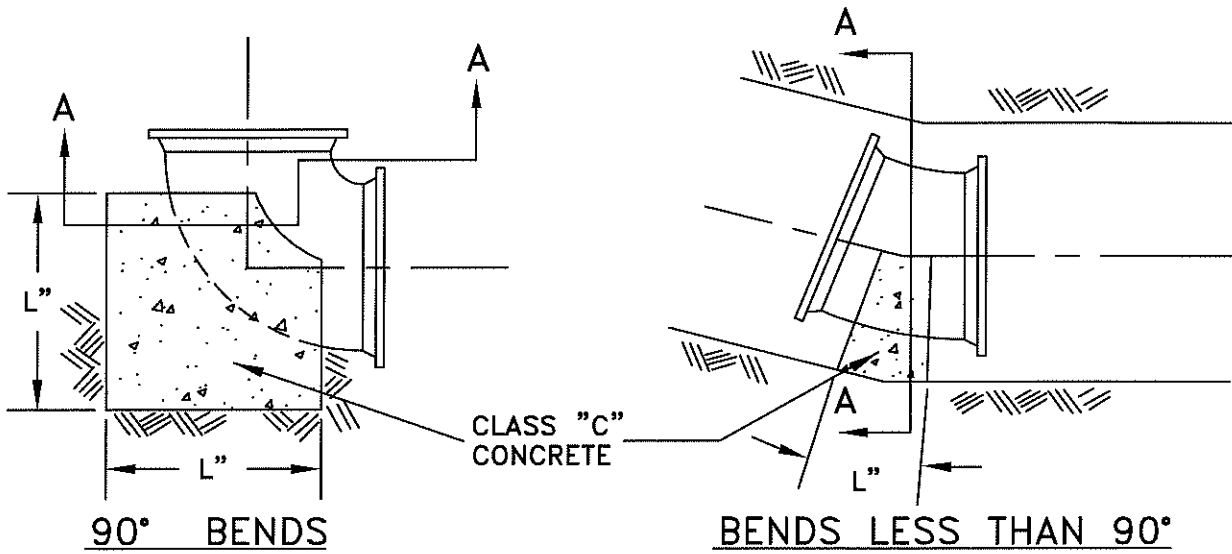


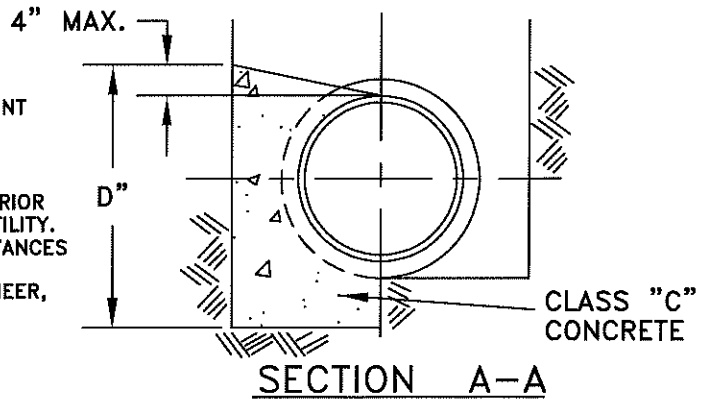
SIZE OF PIPE	DEGREE OF BEND											
	11.25°			22.50°			45°			90°		
	L"	D"	Vc.f.	L"	D"	Vc.f.	L"	D"	Vc.f.	L"	D"	Vc.f.
3"	4	3	0.1	6	4	0.2	10	4	0.3	10	4	0.3
4"	5	4	0.2	9	5	0.4	14	5	0.6	14	5	0.6
6"	8	6	0.5	12	7	0.7	20	8	1.4	18	9	1.7
8"	9	8	0.7	16	9	1.4	24	12	2.7	25	11	4.0
12"	14	12	1.8	24	14	3.6	36	18	6.8	32	18	10.7
16"	18	16	3.4	32	18	6.7	36	32	13.4	41	26	25.6

STEEL WILL BE USED AS REQUIRED BY ENGINEER



**NOTES:**

1. BACKER DESIGNED FOR 3000 PSF SOIL BEARING.
2. CONCRETE TO BE PLACED AGAINST UNDISTURBED EARTH.
3. ALL NEW PIPE 20" & LARGER SHALL BE RESTRAINED JOINT PER CCMS ITEM 801 UNLESS OTHERWISE INDICATED PER PLAN OR AS DIRECTED BY THE ENGINEER.
4. EXISTING WATER MAINS 20" AND GREATER MUST HAVE PRIOR APPROVAL FROM DOW TO LOWER UNDER A PROPOSED UTILITY. APPROVAL WILL ONLY BE GIVEN UNDER SPECIAL CIRCUMSTANCES AND CONTINGENT UPON THE CONTRACTOR SUBMITTING A DESIGNED DRAWING, STAMPED BY A PROFESSIONAL ENGINEER, DETAILING HOW THE LOWERED WATER MAIN WILL BE RESTRAINED TO THE EXISTING WATER MAIN.
5. PROVIDE CLEARANCE FOR REMOVAL OF BOLTS.



L-6311.dwg Revision Date: 11/08/2023

CITY OF COLUMBUS  
DEPARTMENT OF PUBLIC UTILITIES  
DIVISION OF WATER

APPROVED:  
*[Signature]*  
ADMINISTRATOR

11-17-23  
DATE

STANDARD DETAIL  
BACKING FOR BENDS  
HORIZONTAL AND VERTICAL SAG

