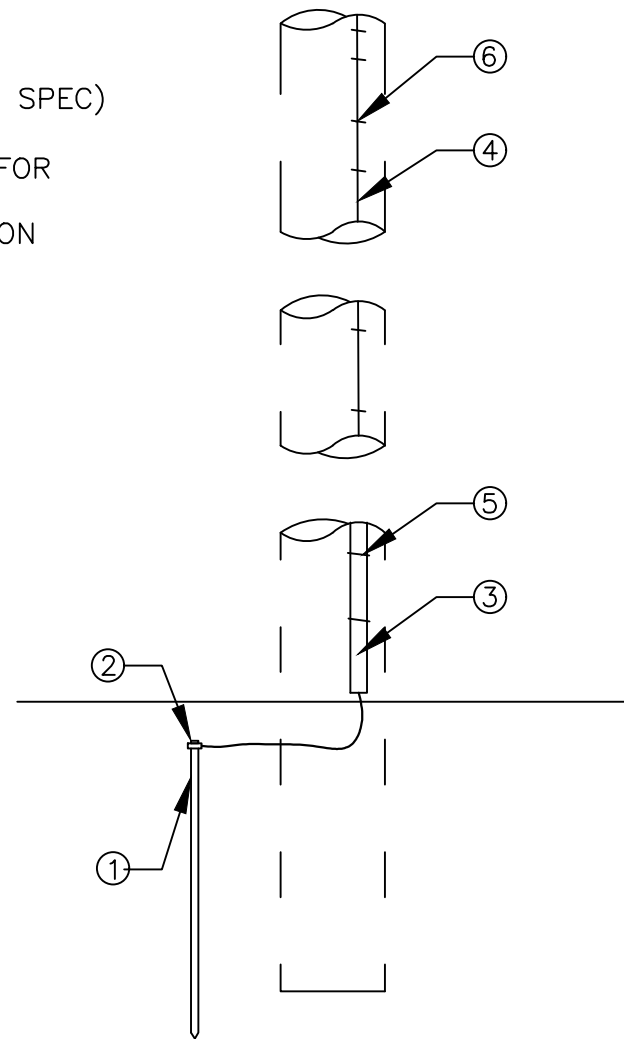


NOTE:

TOP OF GROUND ROD SHALL BE 6" BELOW GRADE AND 1' FROM FACE OF POLE.

SEPARATE GROUND DETAIL



I. MATERIALS

- A. UNDERGROUND CABLE IS PAID FOR SEPARATELY UNDER MIS-403 (2-WIRE) OR MIS-404 (3-WIRE) AS APPROPRIATE
- B. GROUNDING MATERIALS SHALL BE AS SHOWN.
- C. ALL CONDUIT SHALL BE 2" PVC SCHEDULE 80.
- D. THE FUSE KIT SHALL BE IDEAL 65U OR 82S-EAFB1-LC. FUSE IS TO BE SIZED FOR THE LOAD PER MIS-600.
- E. ALL MOUNTING HARDWARE SHALL BE HOT DIPPED GALVANIZED.
- F. MEDIUM DUTY PULL BOX SHALL BE PER MIS-54.

II. INSTALLATION

- A. THE INSTALLATION SHALL BE AS SHOWN.
- B. RISER SHALL BE ON OPPOSITE SIDE OF POLE FROM THE TRAFFIC FLOW.
- C. THE FUSE KIT SHALL BE INSTALLED ON THE HOT CONDUCTOR INSIDE THE PULL BOX WHEN TRANSITIONING FROM AN UNDERGROUND CIRCUIT TO AN OVERHEAD CIRCUIT.
- C. ALL APPLICABLE NESC CLEARANCE REQUIREMENTS FROM OTHER FACILITIES SHALL BE FOLLOWED DURING RISER INSTALLATION.

III. BASIS OF PAYMENT

ITEM	UNIT	DESCRIPTION
MIS-56	EACH	RISER, STREET LIGHT CIRCUIT

ITEM	GROUNDING MATERIAL DESCRIPTION	QTY
1	ROD, GROUND, 1/2" X 10'-0" COPPERCLAD	1 EA.
2	CLAMP, GROUND ROD, 1/2", COPPER ALLOY	1 EA.
3	MOLDING, GROUND WIRE, 8' LENGTH	1 EA.
4	CONDUCTOR, #6, SOLID SOFT DRAWN OR #4 TINNED ANTI-THEFT BARE COPPER	32 LF
5	STAPLE, 1-1/2" X 3" LENGTH	3 EA.
6	STAPLE, 3/8" X 1-1/2" LENGTH	12 EA.
7	CONNECTOR, COMPRESSION (NOT SHOWN)-SIZE AS REQUIRED	1 EA.

<h1>MIS-56</h1>	CITY OF COLUMBUS, OHIO DEPT. OF PUBLIC UTILITIES - DIVISION OF POWER		
	RISER, STREET LIGHT CIRCUIT (No Controller)		
	DRAWN BY: SAW	DATE: 12/7/23	
	APPROVED: <i>Jodi Stefanik</i>		
SCALE: NONE	SHEET: 1 OF 1	56	